



Scope mounted infra-red night vision

Operating Instructions

For the following models



VIPER



WOLF



EAGLE



Unit 13 West Lane,
Full Sutton Airfield,
Stamford Bridge,
York,
YO41 1HS.
United Kingdom.



Contact Details

NiteSite online

Facebook - add us as a friend by searching for NiteSite

YouTube .com/nitesiteusers - request your NiteSite video to be added to our play list

Twitter - follow us @NiteSiteUK

Contact Customer Service

Customer Service

NiteSite Ltd

Unit 13 West Lane

Full Sutton Airfield

Stamford Bridge

York, YO41 1HS

United Kingdom

Phone 0800 612 9098 UK & Northern Ireland only

Outside the UK & Ireland +44 (0) 1759 377235

Fax +44 (0)1759 371929

E: enquiries@nitesite.com

W: www.nitesite.com

Office hours Monday to Friday 9am - 5pm GMT

Guarantee

Your 2 year guarantee - help us to help you

Your new NiteSite equipment comes with a 24 month guarantee protecting you against electrical and mechanical breakdown. Please see terms and conditions below. There is a 12 month guarantee on battery packs.

It is important to register the purchase of your product in order to ensure that you receive prompt and efficient assistance in the event of it requiring attention during the guarantee period.

NiteSite guarantee conditions

We at NiteSite undertake that if within 24 months of the date of purchase the NiteSite equipment or any part thereof is proved to be defective by reason only of fault of workmanship or materials, we will, at our discretion repair or replace the same FREE OF ANY CHARGE for labour, materials on condition that:

- 1) You are the original purchaser and not an assignee or subsequent purchaser of the equipment.
- 2) The product has been used in accordance with the manufacturers operating and maintenance instructions.
- 3) The product has not been serviced, maintained, repaired, taken apart or tampered with by any persons not authorised by NiteSite.
- 4) All service work under this guarantee must be undertaken by the NiteSite customer service department.
- 5) Any product or defective part replaced shall become the property of NiteSite.

Please Note!

- A) This guarantee is in addition to your statutory and other legal rights.
- B) NiteSite will return product by courier within 28 days of receipt.
- C) The company's liability under this warranty is limited to the said repairs or replacement and shall under no circumstances extend to any financial losses alleged to have been suffered by the claimant.
- D) In the event of repairs or replacement being made under the terms of this warranty in the circumstances where the opinion of the company the defect has not been caused by the company's materials or workmanship then the company reserves the right to charge the claimant at its current hourly rates and list prices in respect of any employees time and any replacement parts.
- E) No authority has been given to any person, firm or company, to vary the terms of this guarantee.

The guarantee does not cover the following:

- 1) Damage resulting from transportation.
- 2) Damage resulting from improper use or neglect.
- 3) Consequential damage resulting from unauthorised repair work.
- 4) Accidental damage.

Contents

Page 1	Introduction
Page 2	Instruction manual contents
Page 3	Kit contents
Page 4	Technical information
Page 5	Scope mount overview
Page 5	Scope clamp fixing details
Page 6	Setting up and operating instructions
Page 6	Camera module details
Page 7,8	Focusing the camera module
Page 8	Fitting the anti-recoil clamp
Page 9	Viper product
Page 10	Wolf, Wolf Power+ product
Page 11	Eagle product
Page 12	Battery SAFETY INFORMATION
Page 12	Lithium-ion battery (5500mAh)
Page 13	Lithium-ion battery (1500mAh)
Page 13	Velcro strap for the scope mount battery (1500mAh)
Page 14	Battery chargers
Page 15	Accessories available to purchase separately
Page 16	Care and maintenance
Page 16	Anti-glare filters
Page 17	Connecting external equipment to the NiteSite
Page 18	Effects of lens flare
Page 18	Choice of rifle scope and effects of specialist lens coatings
Page 19, 20	Frequently asked questions
Page 20	SAFETY INFORMATION
Page 21	Contact details
Page 21	NiteSite guarantee
Page 22	Notes
Page 22	Ferrite installation

Introduction

Thank you for purchasing a NiteSite product. Before you start to use the NiteSite system please read these instructions carefully to enjoy optimum performance and a long service life. Please keep this manual in a safe place for future reference.

Check that all the relevant contents are in the product kit purchased.

Important information for your safety.

The NiteSite system operates on infra-red LED technology (and it is invisible to the naked eye).

Never look directly into the infra-red LEDs. (or direct the infra-red LEDs at any person). Doing so could seriously damage your eye sight (or others).

Never leave the NiteSite product un-supervised with persons under the age of 16 years.

The Nitesite system is powered by a lithium-ion polymer battery pack. Please read carefully the safety information contained in this manual regarding the NiteSite Lithium-ion battery packs. (Page 12)

Scope Mount Products

There are four products in the scope mount range for you to enjoy. The Eagle, Wolf, Wolf Power + and Viper. The Nitesite scope mount product converts your day rifle combo into a night vision system, which is quick and simple to use. (set up in minutes).

Every NiteSite share common features

Suitable for use with any rifle, one minute installation, ultra clear night vision, no need to re-zero, no ambient light required, IR frequency 850nm, video and audio (AV) output 3.5mm 4 pin socket, 3.5inch display screen, water resistant, can be used both day and night, rechargeable lithium-ion battery, all in one night vision system.



Please read the relevant information regarding your product purchase contained in this instruction manual. NiteSite scope mount product's viewing ranges expressed are dependant on the scope optic and weather conditions.

Kit Contents

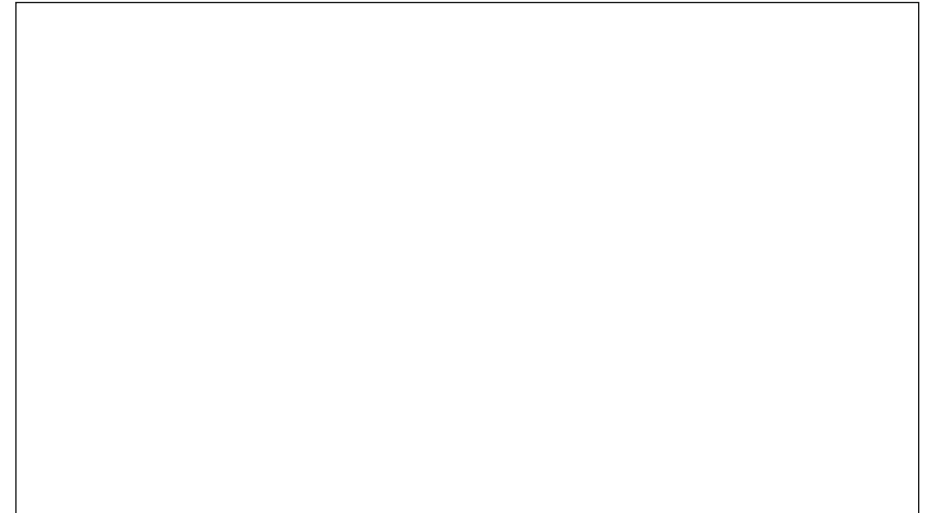
Product items denoted with the model logo, illustrated above, is applicable to that product model only.

Intended use

The NiteSite products are add on devices for use with an existing rifle and scope. They are also for use in daylight. During darkness the NiteSite products will achieve a night vision identification range of 500 metres depending on the model purchased, weather conditions and optic.

NiteSite Ltd does not bear responsibility for the use of this product in countries or territories where the law prohibits its use. It is the sole responsibility of the operator to comply with the laws and regulations of the country or territories where the NiteSite add on devices are used.

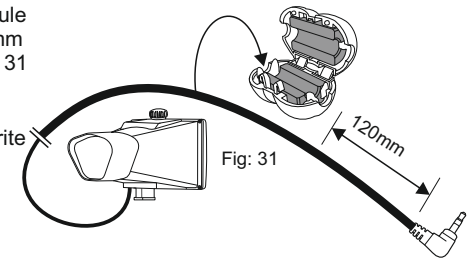
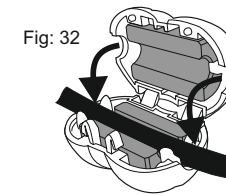
Notes



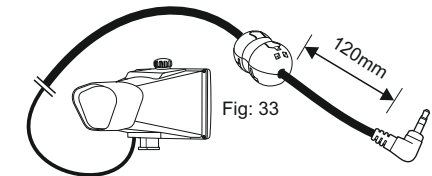
Ferrite Installation

Place the LCD screen & illuminator module cable into the ferrite approximately 120mm from the end of the right angle plug. Fig: 31

Lay the cable in the ferrite channel, with the cable in place carefully close the ferrite over the cable so that the ferrite snaps together. Fig:32



Once the ferrite is closed the installation is complete and the ferrite will be firmly in place. Fig: 33

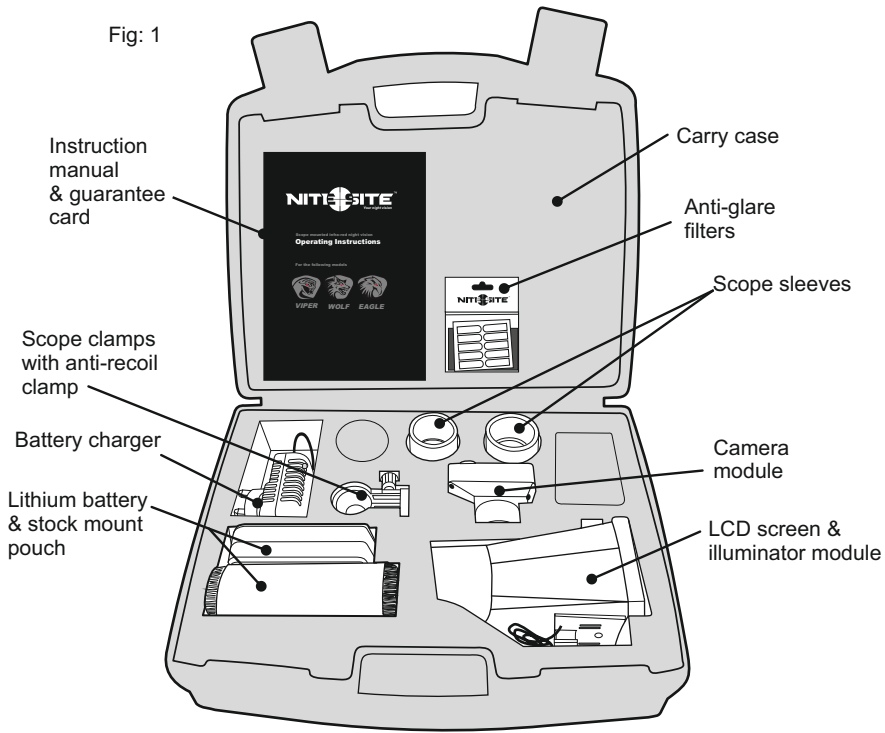


This is a class A product. In a domestic environment this product may cause radio interference in which case the user may be required to take adequate measures.

This device complies with part 15 of the FCC rules. Operation is subject to the following two conditions

1. This device may not cause harmful interference.
2. This device must accept any interference received, including interference that may cause undesired operation.

With the ferrite provided and fitted this device complies with FCC and CE directives as stated in the appropriate documents available on request.



Kit Components

- 1 x Camera module
- 1 x LCD screen & illuminator module
- 1 x Scope clamp 1 inch (25mm)
- 1 x Scope clamp 30mm
- 2 x Scope sleeve
- 1 x Lithium-ion battery(5500mAh)
- 1 x Lithium-ion battery Charger

- 1 x Stock mount pouch
- 1 x Pack of anti-glare filters

- 1 x Lithium-ion battery (1500mAh)
- 1 x Carry case
- 1 x Anti-recoil clamp
- 1 x Instruction manual
- 1 x Guarantee card



<p>When I use the zoom feature on my scope the distance I can see is reduced.</p>	<p>This is a normal feature of the NiteSite system the scope when increasing the magnification is reducing the angle of vision thus reducing the visible light therefore reducing the visible range.</p>
---	--

For more Frequently asked questions go to our website at www.nitesite.com

SAFETY INFORMATION

CAUTION - Never look directly into the infra-red illuminator(see Fig.20 page 18). The unit can emit very high concentrated non-visible infra-red light which can be hazardous to the human eye. Always follow the safety precautions given in IEC 60825-1 and IEC 62471

The NiteSite equipment must be used adopting a “heads up” shooting position. Failure to do so may result in the camera module impacting the facial area due to the recoil of some rifles.

Persons using the NiteSite equipment under the age of 16 must be supervised by an adult.

Do not attempt to make any repairs to the NiteSite equipment as this will void any guarantee and could cause personal injury and may cause further damage to the NiteSite equipment.

Do not store any part of the NiteSite equipment near open flames or other forms of excessive heat. The NiteSite equipment is made of durable ABS plastic and could melt and catch fire.

Working safely with NiteSite equipment is only possible when following the manufacturers instructions contained in this booklet.

NiteSite users should comply with all gun law and adhere to safe working practices.

General Disposal

UK: Waste electrical products should not be disposed of with household waste. Separate disposal facilities exist. For your nearest facilities, please contact your local authority for details.



Battery Disposal

Dispose of batteries in an environmentally friendly way. Certain regions may regulate the disposal of batteries. Please consult your local authority. In EC countries batteries must be recycled according to guideline 91/157/EEC

The unit is not switching on.	Make sure the battery is fully charged See page 14. Make sure the battery plug is firmly connected to the camera module power socket. See page 6. (Fig: 4). Make sure the on/off button on the back of the camera module is in the ON position (pushed in)
Does the NiteSite unit consume power even when the power button is in the off position?	No. Providing the on/off button on the back of the camera module is in the off position (pushed out) the unit will no longer consume power from the battery.
Is there a way of adjusting the screen brightness?	No. However, every kit comes complete with a packet of anti-glare filters that can reduce the glare to the users preference. See page 16.
Is my NiteSite water proof?	No, NiteSite products are shower resistant. Cover the NiteSite in rainy conditions.
What type of scopes work best with the NiteSite system?	You get the very best from the NiteSite system with turn collar zoom and front or side parallax focusing. Also scopes with fewer or no lens coatings that will reduce infra-red light.
My NiteSite does not give visibility at night at the ranges specified?	The NiteSite is dependant on the camera receiving as much reflected infra-red light from the illuminator as possible. Some scopes have special coatings that can filter out the infra-red light thus reducing the range of visibility. Always check your scope manufacturers details.(See page 18 lens coatings).
Will the NiteSite work in freezing conditions?	Yes. The NiteSite units have an operating temperature approximately between -20 and 60 degrees centigrade.
Do I need to use the recoil clamp on all of my rifles?	Yes. We recommend the anti recoil clamp is fitted to prevent the LCD screen & illuminator unit from slipping through the "T" slot on the unit. See page 8 (Fig:12 & 13).
Can the NiteSite withstand the recoil of large calibre rifles?	The NiteSite product has been successfully tested with 100 rounds consecutively fired from a range of centre fire rifles up to and including a 0.450 calibre rifle without moderators. Springer air rifles are also suitable. Please use the anti recoil clamp shown on page 8.
The rubber scope sleeve does not fit my scope eye piece.	Try warming the scope sleeve in very hot water (boiling is acceptable) This technique will make the sleeve more pliable to fit over most eye pieces.
I cannot mount the scope sleeve on my eyepiece because it's not a perfect circle	Try un-screwing the eye piece to its maximum point. This may create a longer distance for the scope sleeve to grip the scope, then follow the instructions for re-focus the camera module on page 7 & 8.
I cannot get my scope crosshair in focus.	It is likely that the perfect focal point has been missed. Turn the lens fully clockwise until it can be turned no further. Carefully follow the focussing process on page 7 & 8.

LCD Screen and Illuminator module

Smooth silent LED infra-red (IR) illuminator intensity dimming control knob.
 Infra-red protective lens cover. LED 850 nM frequency
 3.5" LCD screen.
 90 degree male three pin jack plug connecting cable.
 Viper, Wolf and Eagle products have different IR capability

Note

Never connect the LCD screen and illuminator module to any other equipment other than the NiteSite camera module. Never connect any other equipment to the NiteSite (NS) socket on the back of the camera module. Failure to do so may result in damage to the NiteSite equipment and may invalidate the guarantee.

Camera Module

Colour infra-red (IR) camera 1.0 Lux 600TVL 1/3 CCD CMOS chip PAL or NTSC 4:3 ratio. The camera module has a video and audio output point, so that an external recording device or monitor can be connected via the 3.5mm four pin socket.(AV) PAL or NTSC (depending on your region).
 12 volt DC power supply socket. On/off button located on the reverse face. Page 6. (Fig: 4).
 LCD screen and illuminator power socket (NS).

Battery

Lithium-ion polymer batteries are supplied with the NiteSite Product. Always fully charge the battery when new as the battery is supplied in a discharged condition. (See page 12 and 13).The Viper and Wolf product have a smaller scope mount battery pack provided with the kit. (See page 13 for more details).

Battery Charger

12 volt lithium-ion charger with charging indicator, the red light indicates the battery is charging. The green light indicates the battery is fully charged. Disconnect the battery from the charger once charging is complete. Always use the correct charger supplied with the NiteSite battery product. See page 14 for more details

Stock Mount Pouch

The stock mount pouch supplied for storing the 5500mAh battery during use with a rifle. A belt mount pouch is also available (purchased separately)

Scope Clamps

There are two sizes of scope clamps provided in all the NiteSite scope mount kits. The sizes are 1 inch (25mm) and 30mm. There are universal scope clamps available in 30mm and 34/36mm for rail mounted or spotting scope applications. See our accessories on page 15.

Scope Sleeve

Scope sleeves are flexible enough to stretch over most round scope eye piece. The two sizes will fit over the eye bell of the scope with ease. First application of the scope sleeve on larger scope eye pieces (over 44.0mm) may need softening by placing the sleeve in hot water until pliable.

Anti Recoil Clamp

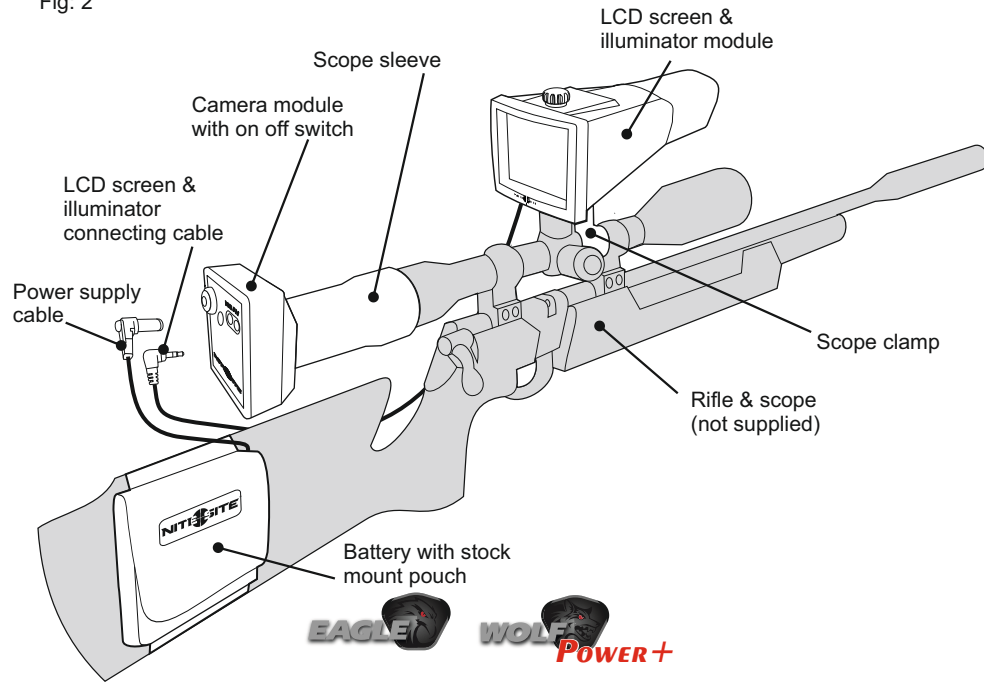
The anti recoil clamp included in all scope mount kits prevents the illuminator & LCD screen module from moving out of the "T" slot due to recoil. See page 8 (Fig:12 & 13).

Anti-glare filters

There are five filters in the packet of anti-glare filters provided in each product kit. They can be used to reduce the glare emitting from the LCD screen in darkness. The five filters can be used to darken the LCD screen to the users preference. See page 16 (Fig: 30).

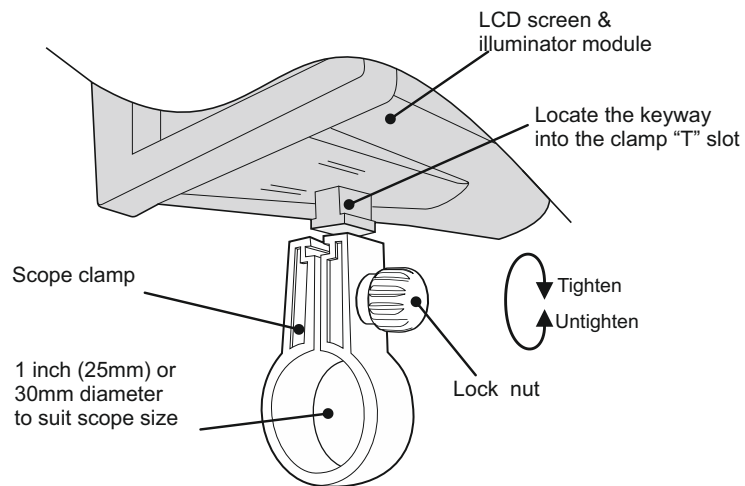
Scope Mount Over View

Fig: 2



Clamp Fixing

Fig: 3



Lens Flare

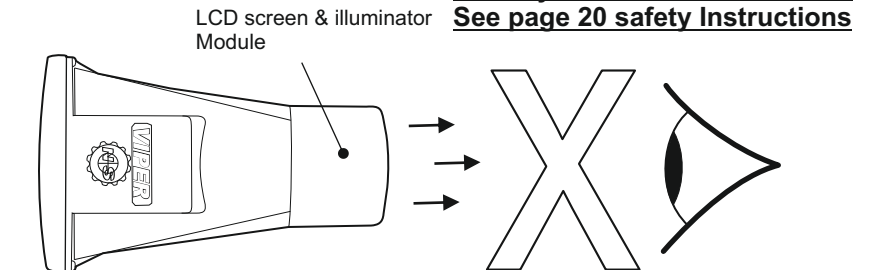
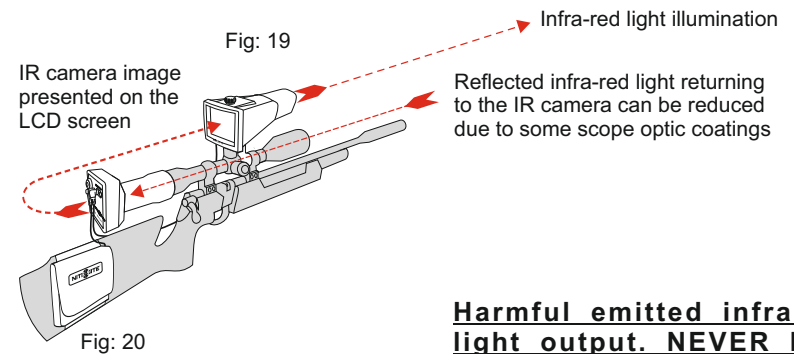
Flare is the term used to describe a plume or a haze that can appear on the image of the LCD screen. This is caused by objects directly in front of the rifle scope and illuminator. Objects such as a moderator/silencer or an iron sight can cause the infra-red light emitted from the illuminator to reflect back into the scope causing flare. Rifles with long barrels give a higher chance of causing flare. To reduce flare you should:

1. Use a sun shade on the front of the scope.
2. Add a none reflective coating or material to the moderator/silencer and barrel or, if possible, use a smaller diameter moderator.
3. Remove the front site (fore-sight).
4. Use higher scope mounts.

Lens flare can reduce the achievable night vision capability of the NiteSite equipment.

Rifle Scopes and Lens Coatings

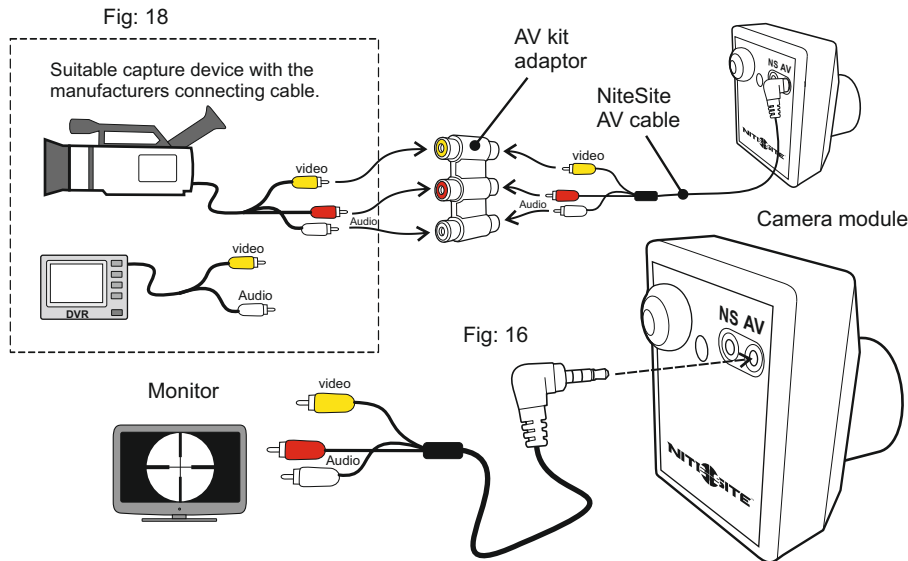
The NiteSite system functions, in night vision mode, with the use of infra-red light. The infra-red light is emitted from the front of the LCD screen & illuminator module. In darkness the NiteSite system relies on the camera module receiving as much infra-red light through the scope as possible. Some scope manufacturers have a coating that reduces infra-red light passing through the scope optic. This coating improves the image visibility at low ambient light levels. The NiteSite system is not as effective with scope lenses that have such coatings. To get the best results from the NiteSite system use a scope that has variable zoom feature with front or side parallax focus capability. Always check the scope manufacturers instruction details prior to fitting the NiteSite system to ensure you get the best results from the product. For further information please contact customer services.



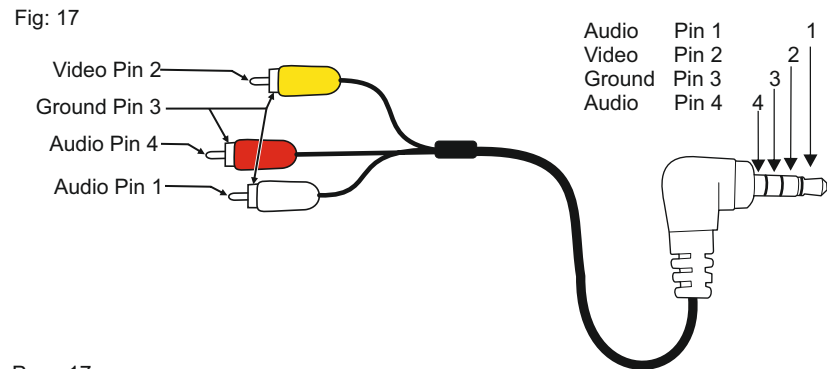
Video & Audio Connecting Cable

The NiteSite camera module has a video and audio output socket (AV) (Fig: 16). This will enable an external monitor or a video capture device to be connected directly to the NiteSite camera module via the NiteSite connecting cable. (Fig: 17).

The 3.5mm 4pin socket (AV) is only to be used with the NiteSite video and audio cable.(Fig: 17 available from NiteSite). The camera module has a mono audio signal that is connected to both audio plugs on the AV cable. A suitable video, or digital capture device, that has a "video in" function will be suitable to use with the NiteSite camera module. Always check the intended capture devices manufacturers instructions to verify if it is compatible. Always use the intended capture devices connecting cable that can join up colour to colour with the NiteSite video out put cable and adaptor illustrated in (Fig: 18). The NiteSite camera has an analogue 4:3 ratio PAL/NTSC output. (USA - NTSC, rest of the world PAL). The pin configurations for the NiteSite video out put socket are shown in fig: 17. For further information contact NiteSite customer services.



NiteSite AV Cable showing pin configuration



Setting up the NiteSite Equipment

Step 1

Fully charge the battery before using the NiteSite.

Step 2

Fix the LCD Screen and illuminator module to the scope. (Fig: 3) Check the size of the rifle scope and select the appropriate clamp from the NiteSite kit. (1 inch or 30mm) Remove the fixing bolt and knob from the clamp. Open up the clamp and slide over the scope tube. Then replace the fixing bolt and knob.

Slide the LCD Screen illuminator module into the clamp "T" slot then tighten the knob until the LCD screen and illuminator module is secure. (Fig: 3). Check that the LCD screen is facing the eye piece. Do not over tighten the clamp as this may cause strain damage to the clamp.

Step 3

Select a rubber sleeve to suit your scope, and place onto the scope eye bell. Push the camera module into the end of the sleeve. For focusing the camera module see page 7 & 8.

Step 4

Connect the power supply cable and the LCD screen & illuminator module into back of the camera module. (Fig: 4)

Plug the LCD screen & illuminator module connecting cable into the socket on the rear of the camera module (NS)

Step 5

Turn on the NiteSite system with the on /off button located at the rear of the camera module. The LCD screen will power on and the NiteSite system is in day mode. When in total darkness adjust the infra-red LED intensity level by turning the knob on top of the LCD screen & illuminator module clockwise until an image appears on the LCD screen.

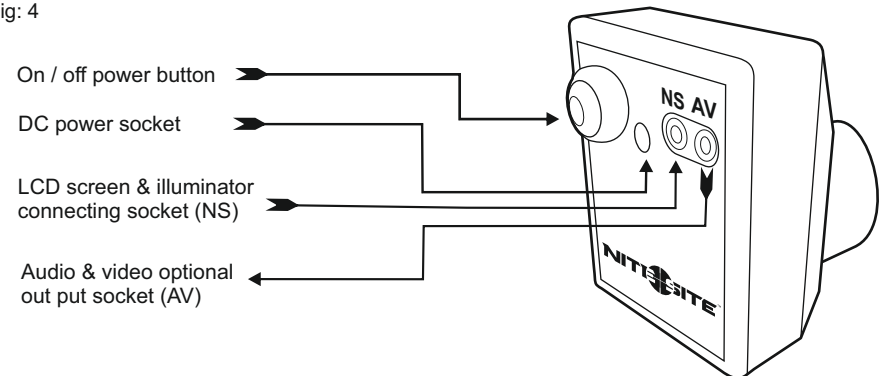
CAUTION

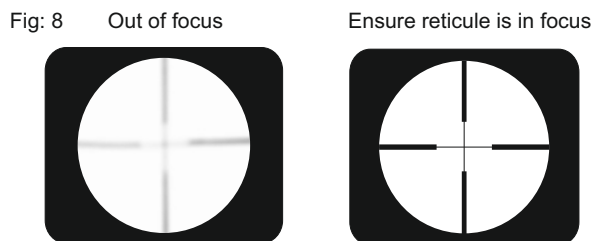
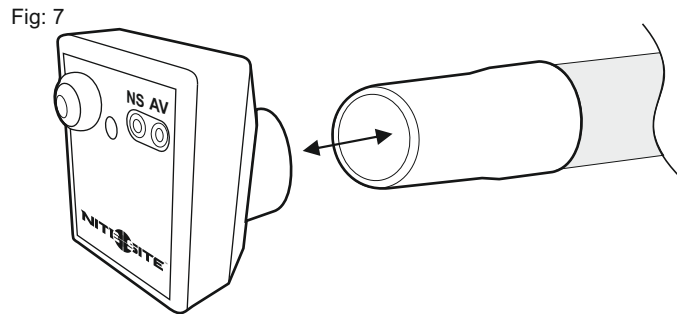
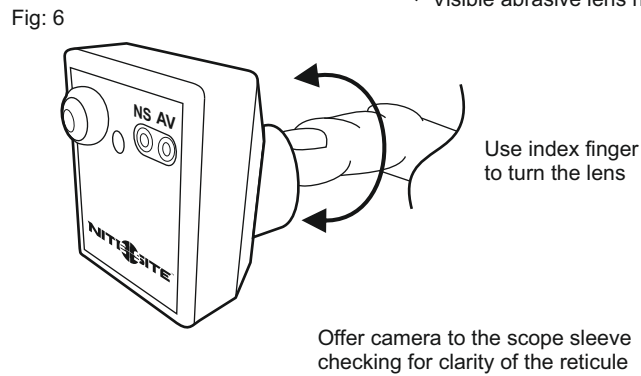
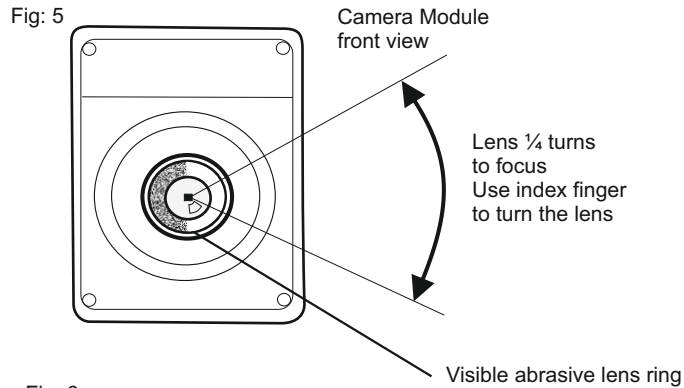
The NiteSite product must be used adopting a "heads up" shooting position. Please ensure the camera module, when fitted to the scope, is clear of the facial area as the recoil on some rifles may result in the camera module impacting the face.

Camera Module

The camera module has a soft touch virtually silent power on/off button. The camera is colour for day time hunting. The camera module socket marked as "NS" must only be used for the LCD screen & illuminator module.

Fig: 4





After each use and during transport, store the NiteSite equipment in the carry case provided.

Take care not to damage the connecting cables during use. Short circuiting the battery cables could cause burns and fire.

Always keep the battery in the pouch provided. Always fix securely in place during use, utilising the stock mount pouch or velcro fixings provided. Belt mounted battery pouches are available. Contact customer services for more information see page 15. (Fig: 28).

Wipe any debris using a soft moist cloth. Do not use cleaning agents of any kind and always disconnect the battery before cleaning the NiteSite equipment.

To get the most out of the NiteSite equipment, keep the LCD screen & infra-red illuminator front lens clean and free from debris.

The NiteSite equipment has a two year guarantee. The batteries have a one year guarantee. Equipment that is damaged through carelessness may be returned for repair. In such an event please contact your local dealer or our customer services department to arrange for the equipment to be returned. There will be a charge for repairs that fall outside the guarantee period. There are no serviceable parts in the NiteSite equipment and all repairs must be carried out by a NiteSite service engineer. Failure to do so will invalidate the guarantee.

The NiteSite equipment is not water proof, only shower proof. Always cover the equipment in rainy conditions.

Accessories

Replacement NiteSite kit items can be purchased by contacting your local dealer or our customer service department will advise of the nearest location of one. Other ancillary equipment is available (See page 15). Please check the website for more details at www.nitesite.com or contact our customer services. Details on page 21.

LCD Screen anti-glare filters (Reduce screen glare)

If during use you find the LCD screen glare too bright, adjust the LED infra-red intensity control knob to a lower setting. This will reduce glare considerably when using the equipment at closer ranges. Alternatively an LCD screen anti-glare filter pack is included in the NiteSite kit which can be placed on the LCD screen to suit you. There are five filters in a pack. The anti-glare filters can reduce the range of the NiteSite product. The darker you make the screen the greater chances of reducing visibility at range.

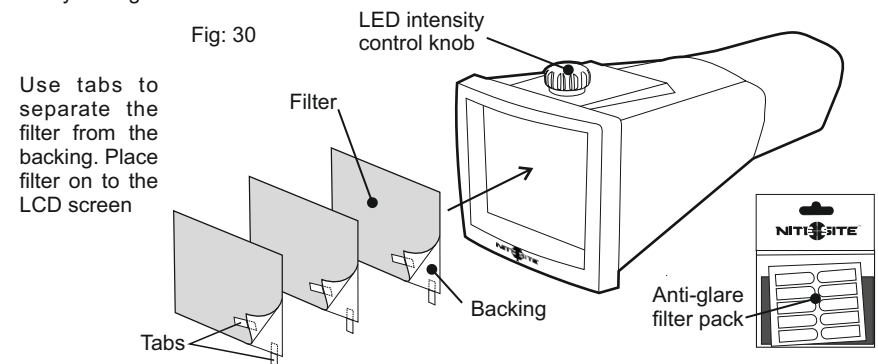
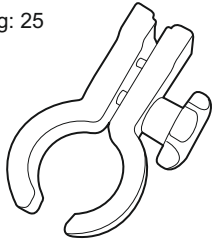


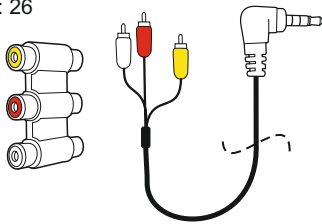
Fig: 25



Universal clamps

The universal clamp is designed for the rail mounted scopes where the regular 30mm and 1 inch (25mm) scope clamps (supplied in the kits) are not suitable. There are two universal clamp sizes available a 30mm and 34/36mm. The glass filled nylon clamp is strong and durable with a firm grip tightening knob.

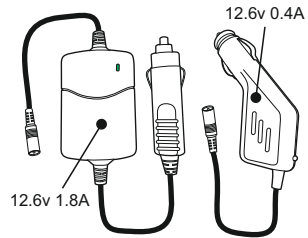
Fig: 26



AV connecting kit

The AV connecting kit has a cable and adaptor. This will allow the user to connect most external devices such as a monitor or a video capture device directly to the NiteSite camera module. The 1.0 metre (AV) lead has a 4 pin 3.5mm jack on one end with RCA (phono) plugs on the other which have a gold plated finish. The adaptor has RCA (Phono) through sockets to allow most compatible models of capture equipment to be connected. See page 17 (Fig: 18)

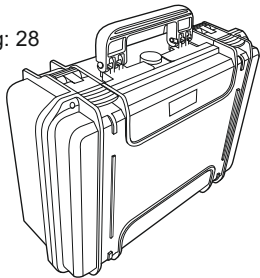
Fig: 27



In car chargers

There are two NiteSite in car chargers. There is the 12.6 volt 1.8A charger for the 5500mAh and the 4800mAh pack (discontinued 2014) The 12.6 volt 0.4 A charger is for the 1500mAh battery.

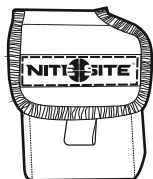
Fig: 28



Max protection case

Optional IP67 rated plastic case made out of highly resilient polypropylene copolymer. This durable and tough case offer superior protection from the elements, water, dust, and impacts, making it an ideal optional extra case available for all NiteSite products

Fig: 29



Belt mounted battery pouch

The belt mounted battery pouch is designed to thread through the belt to rest firmly at the waste. The belt mount pouch is made of tough durable nylon fibre with velcro strips to hold the lid flap firmly in place. Suitable for the NiteSite 5500mAh battery.

The camera module will require adjustment prior to use. This will guarantee that the scope reticule is in focus when viewed on the LCD screen. Page 7. (Fig: 8).

The focal distance is factory set to 400mm which covers most scopes focal length. This will usually allow focus to be achieved within a couple of turns anticlockwise.

After following steps 1- 5. (Page 6). Focus the camera module on a suitable bench or table in daylight prior to use.

Turn on the NiteSite system using the push button on the back of the camera module.

Turn the LED intensity control knob fully anticlockwise to the off position.

Check that the scope reticule is in focus. If adjustment is required remove the camera from the sleeve. (Fig: 7) Turn the lens 1/4 turn anticlockwise with your index finger. (Fig: 5 & 6).

Place the camera back into the sleeve. Check that the reticule on the LCD screen is in focus. If not repeat this process until focus is achieved. (Fig: 8).

Once focus of the reticule is complete the NiteSite equipment is ready for use.

Should the NiteSite equipment be used on a different rifle and scope then re-focusing may be required.

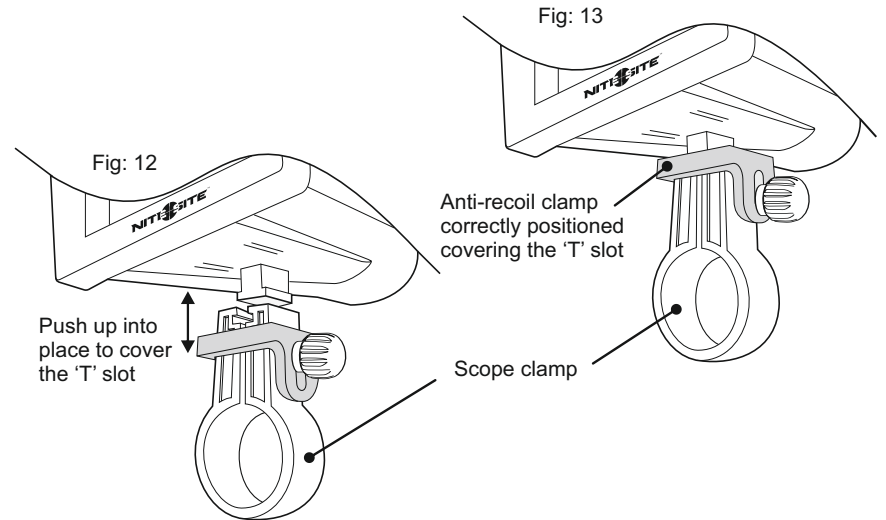
Warning:

Focusing the camera module will be achieved within two or three anticlockwise revolutions of the lens. Continuing to turn the lens more than 10 full revolutions anticlockwise may result in the lens coming out from the lens mount.

Anti-recoil Clamp

The NiteSite equipment is not affected by recoil or kinetic energy produced firing live rounds.

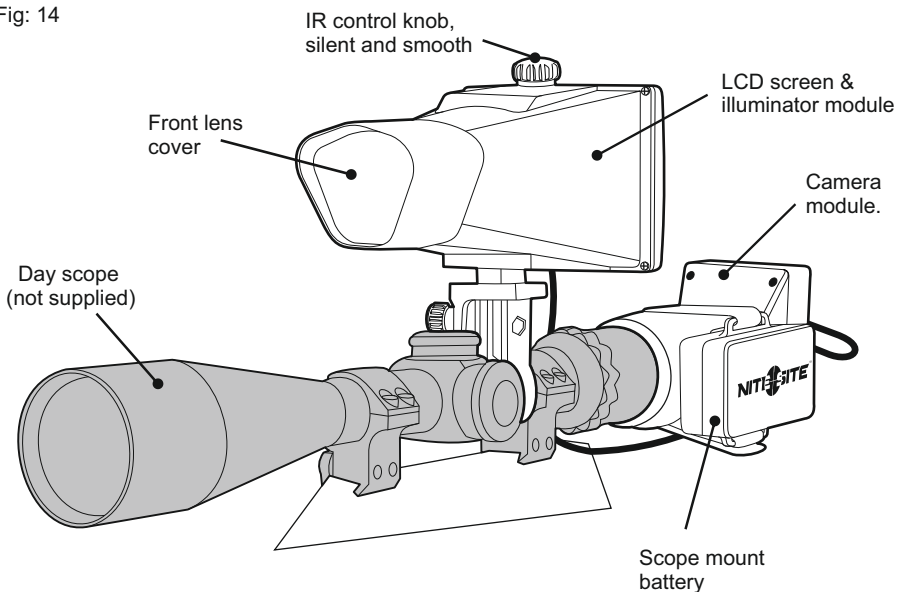
The anti-recoil clamp will prevent the LCD screen & illuminator module from sliding out of the clamp 'T' slot through recoil. Once the scope clamp is fitted, place the anti-recoil clamp over the scope clamp. Put the scope clamp bolt in place, passing it through the anti-recoil clamp slot. Place the LCD screen and illuminator fixing key way, into the scope clamp 'T' slot. (Fig: 12). Once in place slide the anti-recoil clamp upwards to cover the 'T' slot. (Fig: 13). Once in place tighten the scope clamp nut until secure. Do not over tighten!





The Viper scope mount system is the NiteSite short range strike product. The Viper gives a night vision identification range of up to 100 metres (110yards) depending on your scope with zero ambient light. The NiteSite Viper allows the user to vary the infra-red light output from zero to maximum smoothly and silently. The Viper unit has a single infra-red LED mounted in the front of the LCD screen and illuminator module. The range is obtained by the use of the dynamic patented IR lens system. The Viper has a colour camera module for colour daytime viewing. Although the image appears black and white at night the camera is picking up all the available colour. The NiteSite Camera Module has a soft touch, virtually silent, on off button located on the back of the camera module. See page 6. (Fig: 4). The Viper comes with a light weight battery pack that mounts on the scope ensuring the rifle is versatile and light. The battery pack has an operational run time of 7.5 hours. 5.0 Hrs on full IR power) See page 13.

Fig: 14



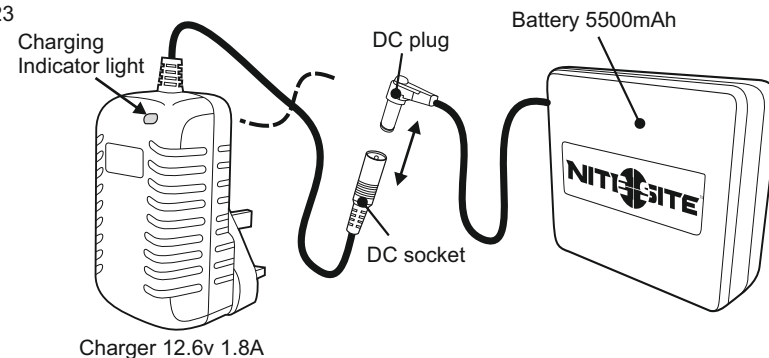
Technical over view

- Colour IR camera module.
- Identification range 100 metres (110yards) dependant on the scope.
- 1 x integral 850nm IR LED.
- Weight excluding the battery 418g .
- Lithium-ion battery 11.1v 1500mAh
- Operational run time up to 7.5Hr approx. (5.0Hrs on max IR).
- Video output socket.

READ ALL THE SAFETY INFORMATION REGARDING LITHIUM-ION POLIMER BATTERIES ON PAGE 12. ONLY CHARGE LITHIUM-ION BATTERIES WITH THE CHARGER PROVIDED

The NiteSite lithium-ion battery packs have a 2.1mm x 5.5mm DC plug fitted as standard. The NiteSite lithium-ion battery charger is supplied with a 2.1mm x 5.5mm DC socket. To charge the lithium-ion battery, the battery charger must be connected to the mains wall socket. The battery charger comes with the correct mains pin configuration for your region. Connect the charger to the mains wall socket. The light on the charger will be green. Once the green light is on simply connect the NiteSite lithium-ion battery pack DC plug, into the charger DC socket. (Fig: 23). The lithium-ion battery charger green light will change to red. The red light indicates that the battery is correctly connected and that the battery is being charged. The indicator light will turn green once the lithium-ion battery is fully charged. The times of charging vary from battery pack to pack depending on the charged condition of the battery. A fully discharged battery will take longer to charge than a partially discharged battery. Always charge the lithium-ion battery from new, as the battery is supplied in a discharged condition. When the battery pack is fully charged and the green light is evident on the charger, disconnect the battery from the charger, and disconnect the charger from the mains wall socket. Leaving the battery connected to the charger when the charger is not connected to the wall socket will result in the lithium-ion battery discharging. The lithium-ion battery charger operates safely between 100v and 240v AC

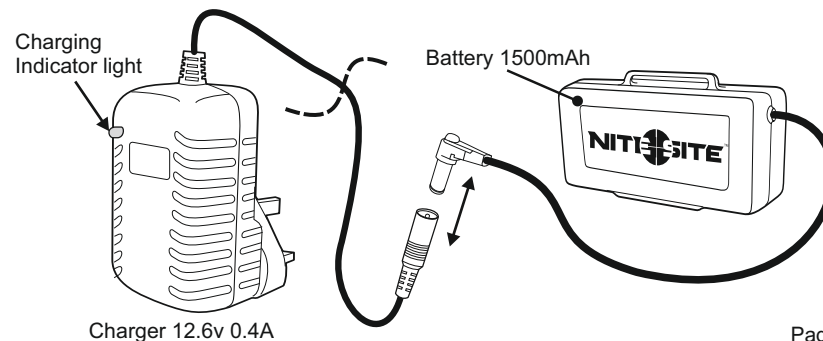
Fig: 23



There are two lithium-ion battery chargers for the scope mount products. **Always connect the correct lithium-ion battery charger to the correct lithium-ion battery** supplied in the kit. Please check you have the correct charger by checking the label located on the battery charger. If in doubt please contact customer services. Details are on page 21.

The 5500mAh Lithium-ion battery comes supplied with a 12.8v 1.8A constant current charger. The 1500mAh lithium-ion battery comes supplied with a 12.8v 0.4A constant current charger.

Fig: 24



Lithium-ion 1500 mAh battery

The 1500mAh lithium-ion battery can be fitted on the scope sleeve during use. This battery pack can last up to 7.5 hours depending which product that it is used with. The battery has a velcro strap for mounting to the scope. (Fig:11). Never take apart the lithium-ion battery, always read safety information on page 12.

Battery operational times 1500mAh

Eagle from 45 minutes to 7.5 Hr.

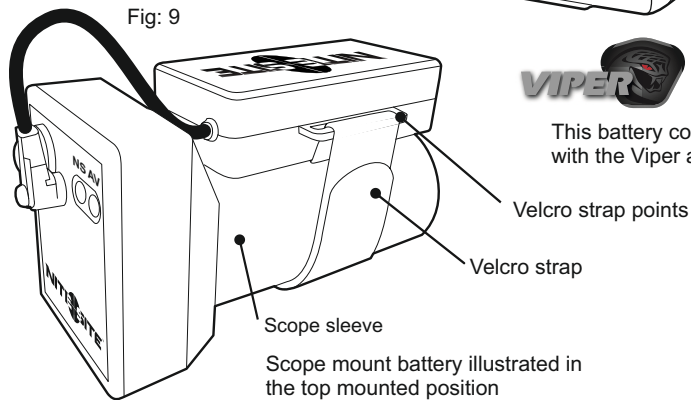
Wolf from 1.5 Hr to 7.5 Hr.

Viper 5.0 Hr to 7.5 Hr.

Fig. 10

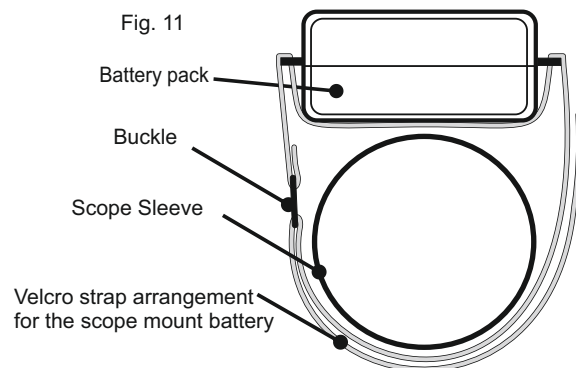


This battery comes standard with the Viper and Wolf products



Velcro strap 1500 mAh battery only

Feed the Velcro strap through the strap points on both sides of the battery case, down one side and up through the other side so that the Velcro strap is under the back of the battery. Place the battery in position on the scope sleeve and feed the strap round the scope sleeve and through the buckle. Now double back the Velcro strap under the scope sleeve and pull tight. The strap should now hold the battery firmly in position.



Wolf Product



The Wolf scope mount system is the NiteSite medium range strike product. The Wolf gives a night vision identification range of up to 300 metres (330 yards) depending on your scope, and weather conditions, with zero ambient light. The NiteSite Wolf allows the user to vary the infra-red light output from zero to maximum smoothly and silently. The Wolf unit has three infra-red LEDs mounted in the front of the LCD screen & illuminator module. The range is obtained by the use of the dynamic patented IR lens system. The Wolf has a colour camera module for colour daytime viewing. Although the image appears black and white at night the camera is picking up all the available colour. The NiteSite camera module has a soft touch, virtually silent, on/off button located on the back of the camera module. See page 6. (Fig: 4). The Wolf comes with a light weight battery pack that mounts on the scope ensuring the rifle is versatile and light. The battery pack has an operational run time of up to 7.5 hours. (1.5 Hr on full IR power). See page 13.

The Wolf Power+ model has a 5500mAh lithium-ion battery pack and stock mount pouch as standard. Illustrated in Fig: 16. See product technical overview below and on the battery on page 12.

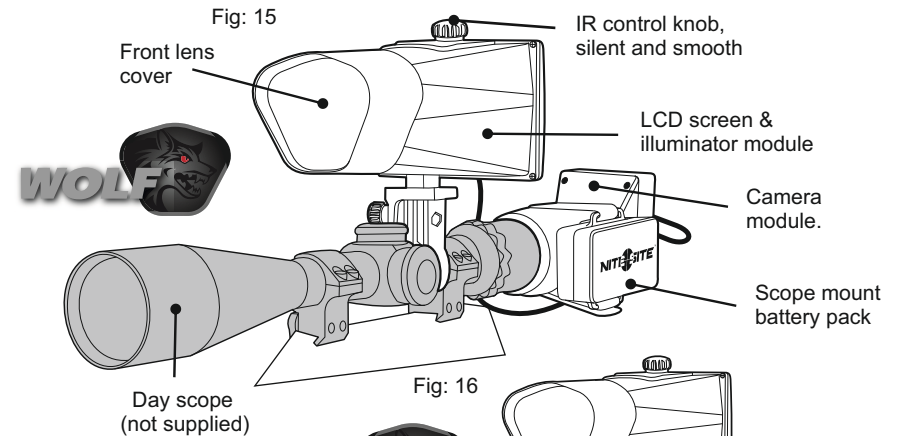
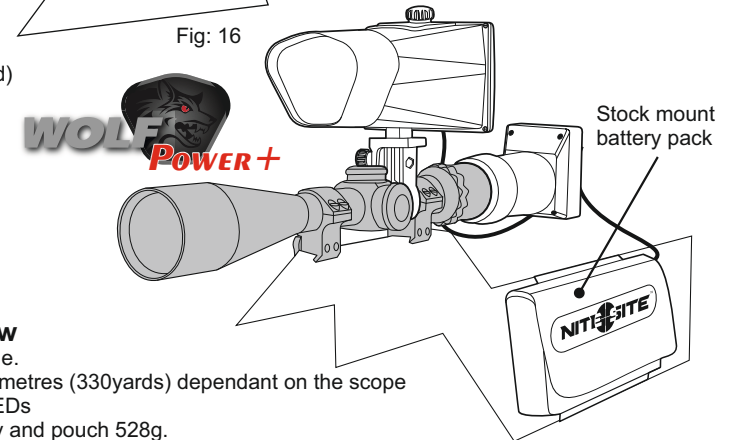


Fig: 16



Technical Overview

Colour IR camera module.

Identification range 300 metres (330yards) dependant on the scope

3 x integral 850nm IR LEDs

Weight excluding battery and pouch 528g.

Lithium-ion battery 11.1v 5500mAh

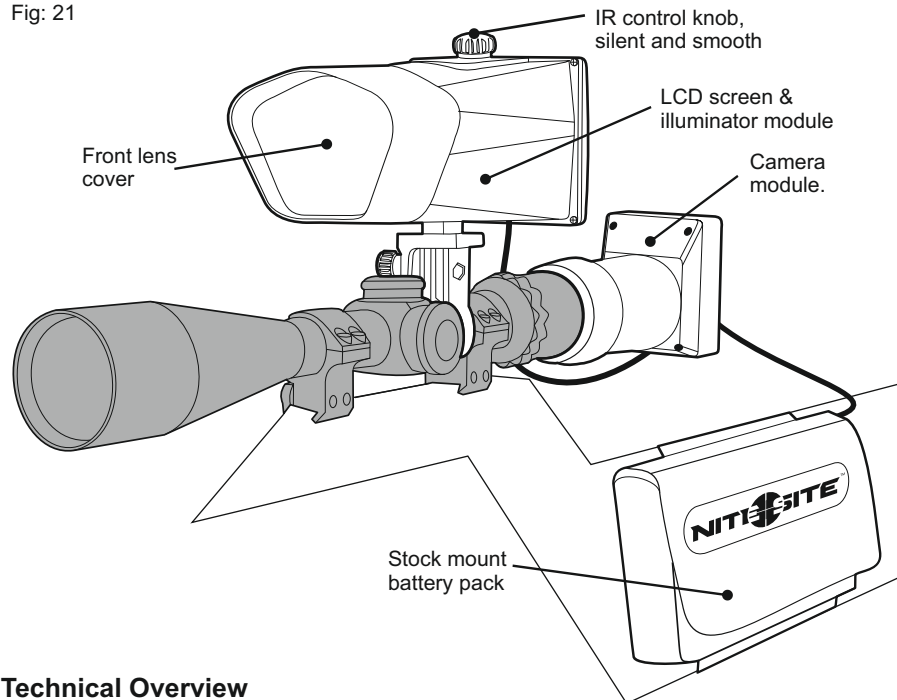
Operational run time Wolf Power+ up to 25 Hr (7.0 Hr on max IR).

Video output socket.



The Eagle is the NiteSite long range strike product. The Eagle is capable of a visual image at 500 metres (550 yards). The Eagle product is capable of such range because of the five infrared LED's mounted at the front of the LCD screen & illuminator module. The concentrated infra-red light out put from this product culminates in the Eagle's range without any ambient light. The IR control on the top of the LCD screen & illuminator unit allows the user to vary the infra-red light from zero to maximum smoothly and silently. The Eagle has a colour camera module for colour daytime viewing whilst the image in darkness is black and white. The NiteSite camera module has a soft touch virtually silent on/off button located on the back of the camera module. The Eagle comes with a light stock mount pouch and battery pack with a 5500mAh battery. See page 12. (Fig: 22). The battery pack has an operational run time of up to 25 hours (Max IR 3.0 Hr).

Fig: 21



Technical Overview

Colour IR camera module,
 Identification range 500 metres (550 yards dependant on the scope)
 5 x integral 850nm IR LEDs
 Weight excluding battery and pouch 638 grams
 Lithium-ion battery 11.1v 5500mAh
 Operational run time up to 25Hrs approx. (3.0Hrs on max IR)
 Video output socket.

Safety Information

To prevent potential leakage, overheating, or explosion of the battery please be advised of the following precautions.

WARNING

- 1 Only use the NiteSite recommended **Lithium-ion** battery charger.
- 2 Do not dispose of the battery into an open fire
- 3 Do not immerse in water or salt water. Always store in a cool dry environment, away from any metal objects such as pins, nails, keys, jewellery, coins etc.
- 4 Do not leave near a heat source, such as a fire or heater.
- 5 Do not connect the battery directly to an electrical socket outlet.
- 6 Do not short out the battery cables or trap the cable causing a short circuit.
- 7 Do not transport the battery with any metal objects described in No.3
- 8 Do not strike or throw against hard surfaces.
- 9 Do not pierce the battery with a nail or sharp object.

CAUTION!

- 1 Do not use or leave the battery pack in very high temperature (for example, in direct sunlight or indirect through glass). Otherwise it can overheat and self combust or its performance will degenerate and its service life will be shortened.
- 2 Do not use in a location where static electricity is evident or the safety circuitry may be damaged.
- 3 Should the battery electrolyte get into the eyes due to leakage do NOT rub the eyes! Rinse with copious amounts of clean water and seek medical attention immediately. Failure to do so may result in permanent damage to the eyes or loss of sight.
- 4 If the battery gives off an odour, generates heat, becomes mis-shaped, or abnormal during use, recharging or in storage, immediately remove the battery pack and place it in a contained vessel such as a metal box.
- 5 In case the battery connector is contaminated with debris of any kind during use clean with a dry cloth. Otherwise power failure may occur due to a poor connection from the battery to the NiteSite or to the battery charger.
- 6 Do not use abrasives or solvents to clean the connector plug or battery case.
- 7 Discarded batteries may catch fire so always tape over the battery terminals before disposal.
- 8 Do not take the battery case apart or tamper with the battery pack.

Lithium-ion 5500mAh Battery

The 5500mAh lithium-ion battery is supplied with the Eagle and Wolf Power+ products. It will give an operational run time of up to 7.0 hours on full IR power, with the Wolf Power+ product and 3.0 hours for the Eagle product. Both products come with the stock mounted battery pouch as standard. Additional batteries can be purchased separately depending on your usage. Only use the chargers supplied with the battery packs and always adhere to the safety instructions listed above.

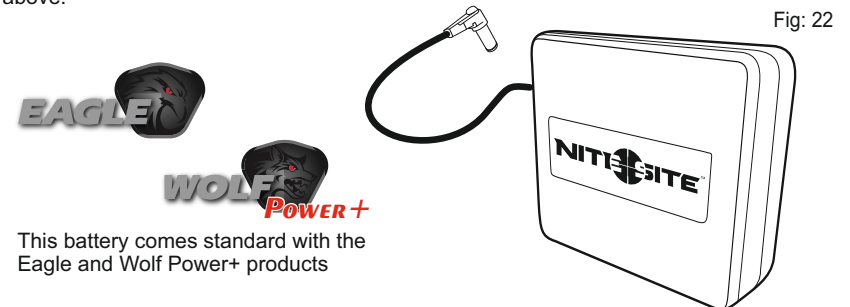


Fig: 22

This battery comes standard with the Eagle and Wolf Power+ products