

Operating Instructions

Mountable Rangefinder

Introduction

Congratulations on purchasing a NiteSite rangefinder. Before you start to use the rangefinder please read these instructions carefully to enjoy optimum performance and a long service life. Please keep this manual in a safe place for future reference.

Check that all the relevant contents are in the product purchased.

Important information for your safety.

The NiteSite system operates on infra-red LED technology (and it is invisible to the naked eye).

Never look directly into the infra-red LEDs. (or direct the infra-red LEDs at any person). Doing so could seriously damage your eye sight (or others).

Never leave the rangefinder product un-supervised with persons under the age of 16 years.

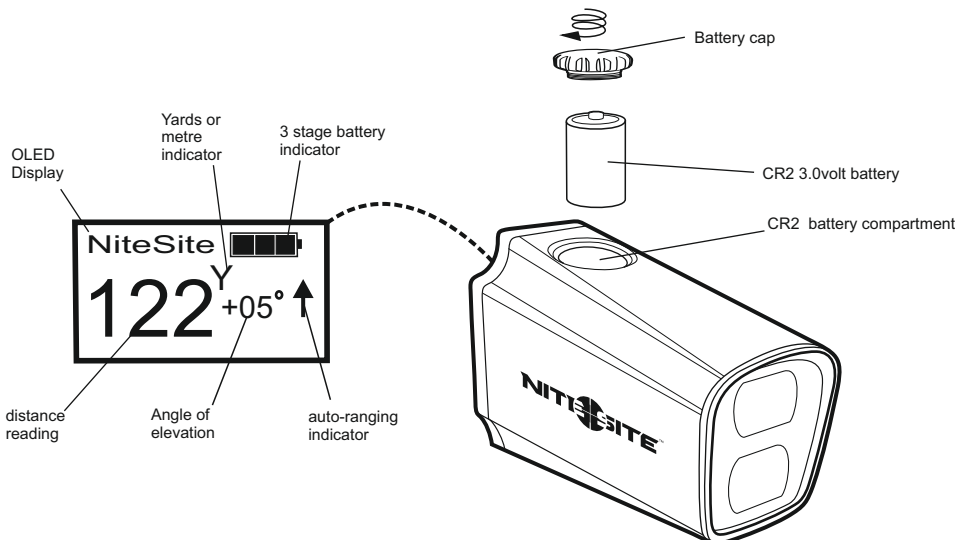
The NiteSite range finder is powered by a 3.0volt CR2 battery

Intended use

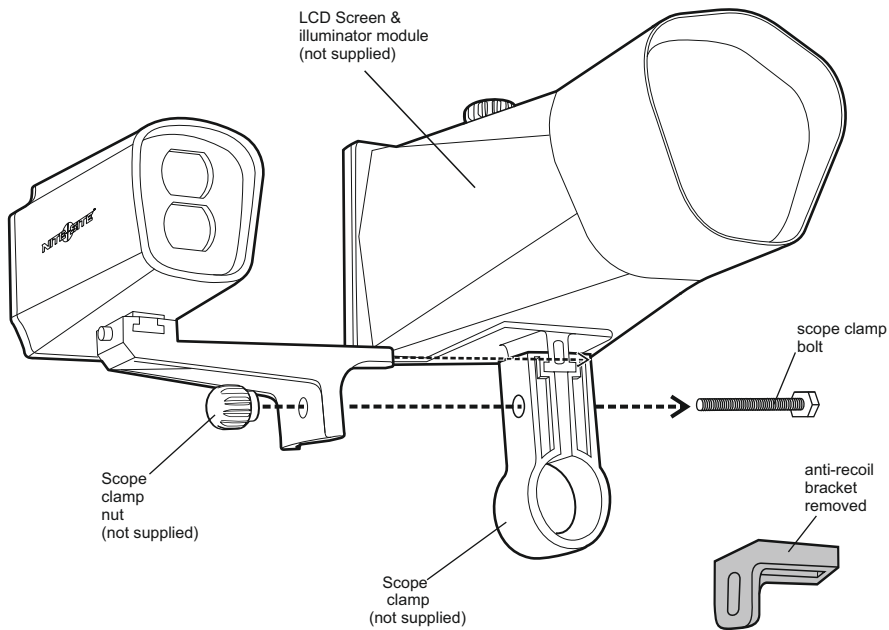
NiteSite Ltd does not bear responsibility for the use of this product in countries or territories where the law prohibits its use. It is the sole responsibility of the operator to comply with the laws and regulations of the country or territories where the rangefinder is used with any other NiteSite rifle mount night vision products.

Mountable Laser range finder

The NiteSite mountable range finder is an add on device designed to be used with any of the rifle mount range of night vision products. The range finder is a fast and convenient way to achieve continuous distance measurement from 6 metres to 700 metres (780yards) simply at the push of a button. The range finder also measures speed from zero to 300km/h. The mountable range finder is powered by a 3 volt CR 2 battery which is revealed by removing the battery cap. The range finder has a durable mounting bracket that enables the range finder to be easily attached to the existing range of NiteSite's rifle mount night vision products. The range finder displays battery life and all the functions clearly on the OLED colour display. The OLED colour display shows angle of elevation while in use. The IR laser trace is seen clearly on the NiteSite LCD & Illuminator screen when the rangefinder is in auto-ranging mode. The mountable range finder like the rifle mount products is not water proof only water resistant so cover up in heavy rain



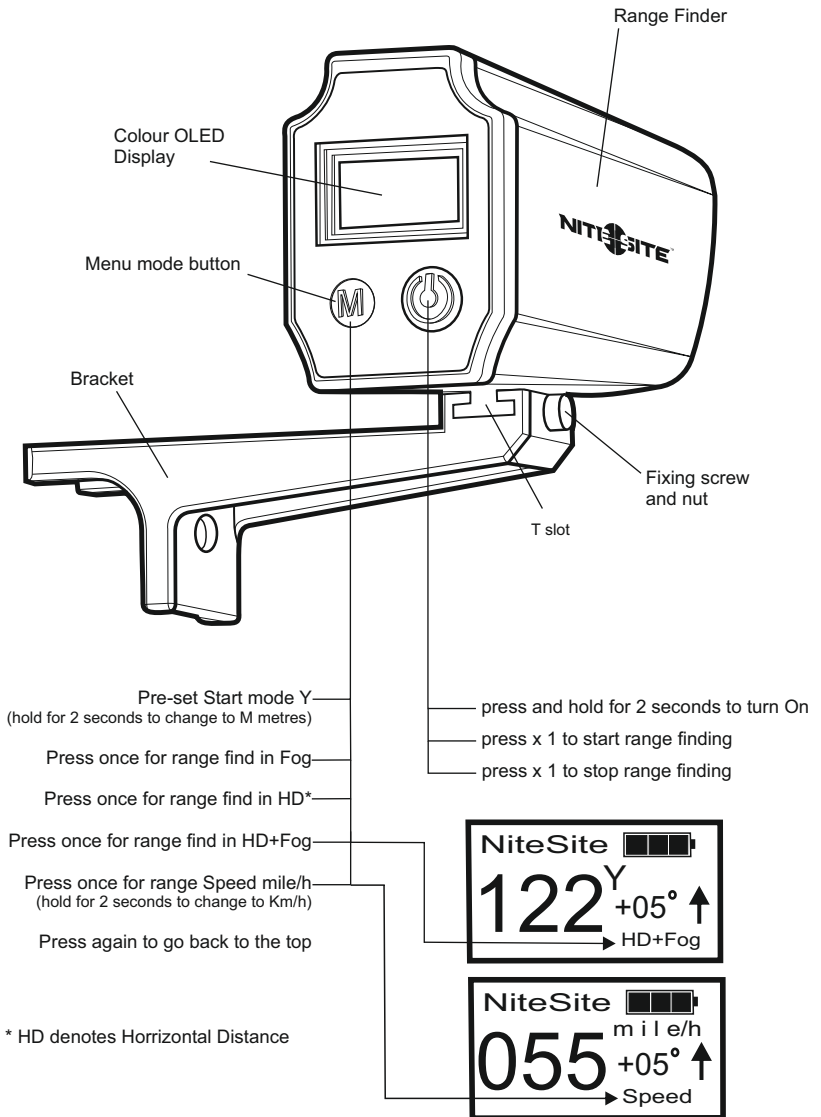
Fitting the mountable Range Finder



Slide the rangefinder head into the bracket "T" slot and insert the fixing screw and tighten on to the nut. Remove the recoil-clamp from the scope clamp and place the rangefinder bracket in its place, left or right hand, mount the bracket to the scope clamp to suit the user.

Operational details

Slide the rangefinder into the bracket "T" slot and insert the fixing screw at the mid clearance point for the fixing screw and tighten onto the nut. Mount the range finder either left or right hand option to suit the user. (See page 3)



Maintenance and Service

After each use and during transport, store the rangefinder in a dry warm place.

Take care to check the battery for leakage if not in use for more than twelve months. Remove the battery if longer.

Wipe any debris using a soft moist cloth. Do not use cleaning agents of any kind when cleaning the NiteSite equipment.

The NiteSite equipment has a two year guarantee. Should the equipment fail then please contact your local dealer or our customer services department to arrange for the equipment to be returned. There will be a charge for repairs that fall outside the guarantee period. There are no serviceable parts in the NiteSite equipment and all repairs must be carried out by a NiteSite service engineer. Failure to do so will invalidate the guarantee.

The NiteSite equipment is not water proof, only water resistant. Always cover the equipment in rainy conditions.

SAFETY INFORMATION

CAUTION - Never look directly into the infra-red illuminator(see illustration below). The unit can emit very high concentrated non-visible infra-red light which can be hazardous to the human eye. Always follow the safety precautions given in IEC 60825-1 and IEC 62471, EN61000-6-3:2007+A1:2011+AC:2012, EN61000-6-1:2007, EN61000-3-2:2006+A1:2009+A2:2009, EN61000-3-3:2013 The EUT described above has been tested with the listed standards and found in compliance with the council EMC directive 2004/108/EC. It is possible to use CE marking to demonstrate the compliance with the EMC directive.



The Rangefinder unit when used with the NiteSite equipment must be used adopting a "heads up" shooting position. Failure to do so may result in the camera module impacting the facial area due to the recoil of some rifles.

Persons using the NiteSite equipment under the age of 16 must be supervised by an adult.

Do not attempt to make any repairs to the NiteSite equipment as this will void any guarantee and could cause personal injury and may cause further damage to the NiteSite equipment.

Do not store any part of the NiteSite equipment near open flames or other forms of excessive heat. The NiteSite equipment is made of durable ABS plastic and could melt and catch fire.

Working safely with NiteSite equipment is only possible when following the manufacturers instructions contained in this booklet.

General Disposal

UK: Waste electrical products should not be disposed of with household waste. Separate disposal facilities exist. For your nearest facilities, please contact your local authority for details.



Battery Disposal

Dispose of batteries in an environmentally friendly way.

Certain regions may regulate the disposal of batteries. Please consult your local authority.

In EC countries batteries must be recycled according to guideline 91/157/EEC

Contact Details

NiteSite online

Facebook - Like our page NiteSite

YouTube.com/nitesitetv- request your NiteSite video to be added to our play list

Twitter - follow us @NiteSiteLtd

Instagram nite_site

Amazon Storefront NiteSite Ltd

Contact Customer Service

Customer Service

NiteSite Ltd

Unit 13 West Lane

Full Sutton Airfield

Stamford Bridge

York, YO41 1HS

United Kingdom

Phone 01759 377235 UK & Northern Ireland only

Outside the UK & Ireland +44 (0) 1759 377235

Fax +44 (0)1759 371929

E: support@nitesite.com

W: www.nitesite.com

Office hours Monday to Friday 9am - 5pm GMT

Guarantee

Your 2 year guarantee - help us to help you

Your new NiteSite equipment comes with a 24 month guarantee protecting you against electrical and mechanical breakdown. Please see terms and conditions below. There is a 12 month guarantee on battery packs.

It is important to register the purchase of your product in order to ensure that you receive prompt and efficient assistance in the event of it requiring attention during the guarantee period.

NiteSite guarantee conditions

We at NiteSite undertake that if within 24 months of the date of purchase the NiteSite equipment or any part thereof is proved to be defective by reason only of fault of workmanship or materials, we will, at our discretion repair or replace the same FREE OF ANY CHARGE for labour, materials on condition that:

- 1) You are the original purchaser and not an assignee or subsequent purchaser of the equipment.
- 2) The product has been used in accordance with the manufacturers operating and maintenance instructions.
- 3) The product has not been serviced, maintained, repaired, taken apart or tampered with by any persons not authorised by NiteSite.
- 4) All service work under this guarantee must be undertaken by the NiteSite customer service department.
- 5) Any product or defective part replaced shall become the property of NiteSite.

Please Note!

- A) This guarantee is in addition to your statutory and other legal rights.
- B) NiteSite will return product by courier within 28 days of receipt.
- C) The company's liability under this warranty is limited to the said repairs or replacement and shall under no circumstances extend to any financial losses alleged to have been suffered by the claimant.
- D) In the event of repairs or replacement being made under the terms of this warranty in the circumstances where the opinion of the company the defect has not been caused by the company's materials or workmanship then the company reserves the right to charge the claimant at its current hourly rates and list prices in respect of any employees time and any replacement parts.
- E) No authority has been given to any person, firm or company, to vary the terms of this guarantee.

The guarantee does not cover the following:

- 1) Damage resulting from transportation.
- 2) Damage resulting from improper use or neglect.
- 3) Consequential damage resulting from unauthorised repair work.
- 4) Accidental damage.

A large, empty rectangular box with a thin black border, occupying most of the page. It is intended for the user to write their notes.



Unit 13 West Lane,
Full Sutton Airfield,
Stamford Bridge,
York,
YO41 1HS.
United Kingdom.



THE QUEEN'S AWARDS
FOR ENTERPRISE:
INTERNATIONAL TRADE
2016