



Scope mounted infra-red night vision

Operating Instructions

For the following models



Introduction

Congratulations on purchasing a NiteSite product. Before you start to use the NiteSite system please read these instructions carefully to enjoy optimum performance and a long service life. Please keep this manual in a safe place for future reference.

Check that all the relevant contents are in the product kit purchased.

Important information for your safety.

The NiteSite system operates on infra-red LED technology (and it is invisible to the naked eye).

Never look directly into the infra-red LEDs. (or direct the infra-red LEDs at any person). Doing so could seriously damage your eye sight (or others). (See page 20)

Never leave the NiteSite product un-supervised with persons under the age of 16 years.

The NiteSite system is powered by a lithium-ion polymer battery pack. Please read carefully the safety information contained in this manual regarding the NiteSite Lithium-ion battery packs. (Page 13)

Scope Mount Products

There are three products in the scope mount RTEK range for you to enjoy. The Eagle, Wolf, and Viper. The Nitesite scope mount product converts your day rifle combo into a night vision system, which is quick and simple to use. (set up in minutes).

Every RTEK NiteSite share common features

Suitable for use with any rifle, one minute installation, ultra clear night vision, no need to re-zero, no ambient light required, IR frequency 850nm, video capture to micro SD card, Wi-Fi buddy share feature, 3.5inch display screen with dimmable back light, water resistant, can be used both day and night, rechargeable lithium-ion battery, all in one night vision system.



Please read the relevant information regarding your product purchase contained in this instruction manual. NiteSite scope mount product's viewing ranges expressed are dependant on the scope optic and weather conditions.

Kit Contents

Product items denoted with the model logo, illustrated above, is applicable to that product model only.

Intended use

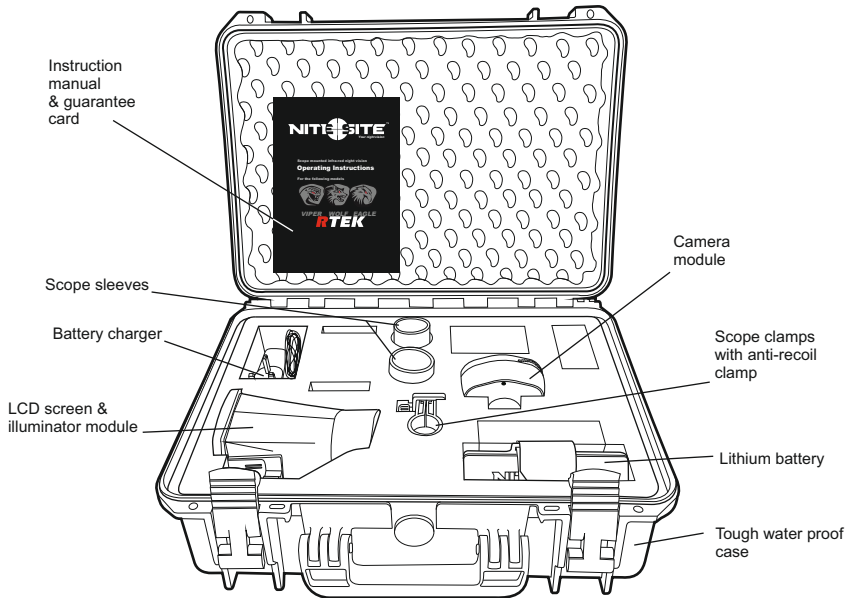
The NiteSite products are add on devices for use with an existing rifle and scope. They are also for use in daylight. During darkness the NiteSite products will achieve a night vision identification range of 500 metres depending on the model purchased, weather conditions and optic.

NiteSite Ltd does not bear responsibility for the use of this product in countries or territories where the law prohibits its use. It is the sole responsibility of the operator to comply with the laws and regulations of the country or territories where the NiteSite add on devices are used.

Contents

Page 1	Introduction
Page 2	Instruction manual contents
Page 3	Kit contents
Page 4	Technical information
Page 5	Scope mount overview
Page 5	Setting up and operating instructions
Page 6	Focussing the camera module
Page 6	Scope clamp fixing and anti-recoil clamp
Page 7	RTEK Camera module instructions
Page 8	iOS application download and Wi-Fi operation
Page 9	Android application download and Wi-Fi operation
Page 10	RTEK Viper product
Page 11	RTEK Wolf Product
Page 12	RTEK Eagle product
Page 13	Battery SAFETY INFORMATION
Page 13	Lithium-ion batteries
Page 14	Battery mounting options
Page 15	Battery chargers
Page 16	Maintenance and service
Page 16	Ferrite installation
Page 17	Accessories available to purchase separately
Page 18	Effects of lens flare
Page 18	Choice of rifle scope and effects of specialist lens coatings
Page 19	Frequently asked questions
Page 20	SAFETY INFORMATION
Page 21	Contact details
Page 21	NiteSite guarantee
Page 22	Notes

Kit Contents Overview



Kit Components

- 1 x Camera module
- 1 x 4GB micro SD card
- 1 x Dimmable LCD screen & illuminator module
- 1 x Scope clamp 1 inch (25mm)
- 1 x Scope clamp 30mm
- 1 x Anti-recoil clamp
- 2 x Scope sleeve
- 1 x Ferrite
- 1 x Lithium-ion battery*
- 1 x Lithium-ion battery Charger*
- 1 x Carry case
- 1 x Instruction manual
- 1 x Guarantee card

* Varies dependant on the product purchased

Technical Information

LCD Screen and Illuminator module RTEK

Smooth silent LED infra-red (IR) illuminator intensity dimming control knob.

Infra-red protective lens cover. LED 850 nM frequency

3.5" LCD screen, with back light dimmer.

90 degree male three pin jack plug connecting cable.

Viper, Wolf and Eagle products have different IR capability

Note

Never connect the LCD screen and illuminator module to any other equipment other than the NiteSite camera module. Never connect any other equipment to the NiteSite (NS) socket on the back of the camera module.

Failure to do so may result in damage to the NiteSite equipment and may invalidate the guarantee.

RTEK Camera Module

Colour infra-red (IR) camera 1.0 Lux 650TVL 1/3 CCD CMOS chip PAL or NTSC 4:3 ratio. The RTEK camera module has recording capability to a micro SD card. The RTEK camera also has a Wi-Fi sharing capability to an Android or IOS platform tablet or mobile phone. (See page 7, 8 & 9)The RTEK camera has a focussing dial for ease of reticule focus. (See page 6)

12 volt DC power supply socket. On/off button located on the reverse face. Page 6.

LCD screen and illuminator power socket (NS).

Battery

Lithium-ion polymer batteries are supplied with the NiteSite Product. Always fully charge the battery when new as the battery is supplied in a discharged condition. (See page 13 & 15).The Viper and Wolf product have a smaller scope mount battery pack provided with the kit. (See page 13 & 14 for more details).

Stock Mount Pouch

The stock mount battery pouch is supplied as standard for the Eagle and Eagle RTEK product. The pouch is for storing the 6000mAh battery during use with a rifle(see pages 12 & 14). A belt mount pouch is also available to purchase separately.

Battery Charger

12 volt lithium-ion charger with charging indicator, the red light indicates the battery is charging. The green light indicates the battery is fully charged. Disconnect the battery from the charger once charging is complete. Always use the correct charger supplied with the NiteSite battery product. (See page 15 for more details)

Scope Clamps

There are two sizes of scope clamps provided in all the NiteSite scope mount kits. The sizes are 1 inch (25mm) and 30mm. There are universal scope clamps available in 30mm and 34/36mm for rail mounted or spotting scope applications. (See our accessories list on page 17)

Anti Recoil Clamp

The anti recoil clamp included in all scope mount kits prevents the illuminator & LCD screen module from moving out of the "T" slot due to recoil. (See page 16 for more details)

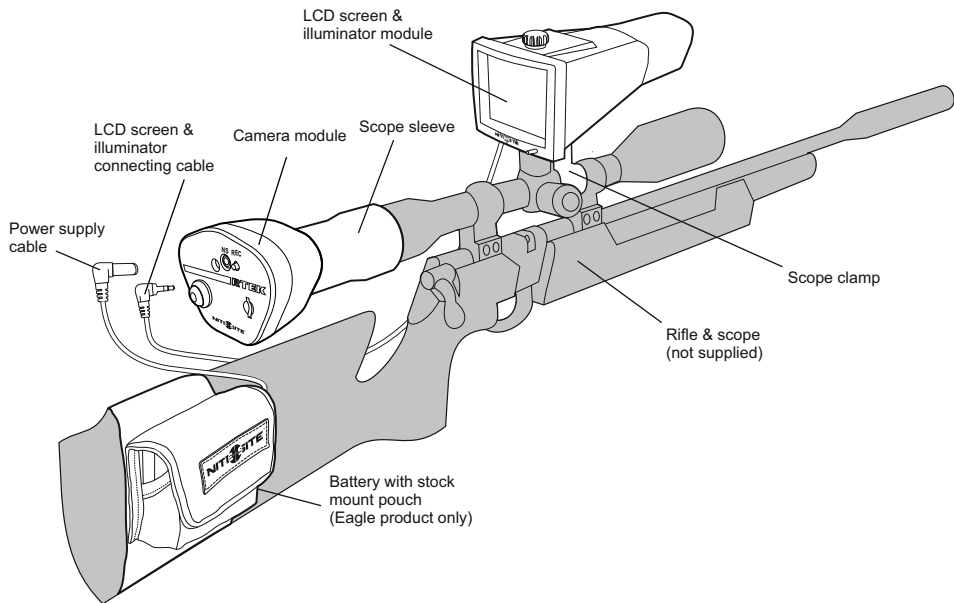
Scope Sleeve

Scope sleeves are flexible enough to stretch over most round scope eye piece. The two sizes will fit over the eye bell of the scope with ease. First application of the scope sleeve on larger scope eye pieces (over 44.0mm) may need softening by placing the sleeve in hot water until pliable.

Micro SD Card

A 4 gigabyte (4GB) Micro SD card is supplied with all RTEK camera modules and gives two hours and twenty minutes of recording capability.

Scope Mount Over View



Setting up the NiteSite Equipment

Step 1

Fully charge the battery before using the NiteSite product.

Step 2

Fix the LCD Screen and illuminator module to the scope (page 6). Check the size of the rifle scope and select the appropriate clamp from the NiteSite kit. (1 inch or 30mm)

Remove the fixing bolt and knob from the clamp. Open up the clamp and slide over the scope. Then replace the fixing bolt and knob. Slide the LCD Screen illuminator module into the clamp "T" slot then slide the recoil clamp into position. Then tighten the knob until the LCD screen and illuminator module is secure. Check that the LCD screen is facing the eye piece. Do not over tighten the clamp as this may cause strain damage to the clamp.

Step 3

Select a rubber scope sleeve to suit your scope, and place onto the scope eye bell. Push the camera module into the end of the sleeve. For focussing the camera module see page 6

Step 4

Connect the power supply cable and the LCD screen & illuminator module into back of the camera module. Plug the LCD screen & illuminator module connecting cable into the socket on the rear of the camera module marked(NS). Camera module operating instructions are detailed on page 7.

Step 5

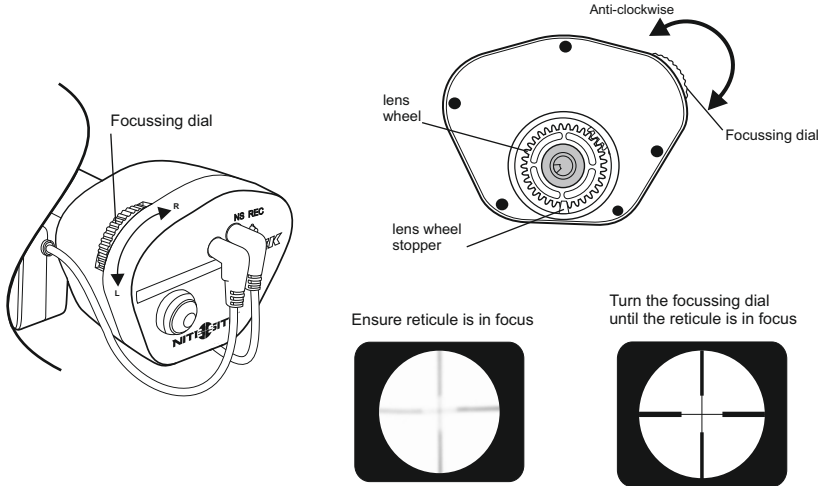
Turn on the NiteSite system with the button located at the rear of the camera module.

The LCD screen will power on and the NiteSite system is in day mode. When in hours of darkness adjust the infra-red LED intensity level by turning the knob on top of the LCD screen & illuminator module clockwise until an image appears on the LCD screen.

CAUTION

The NiteSite product must be used adopting a "heads up" shooting position. Please ensure the camera module, when fitted to the scope, is clear of the facial area as the recoil on some rifles may result in the camera module impacting the face.

Focus the RTEK Camera Module

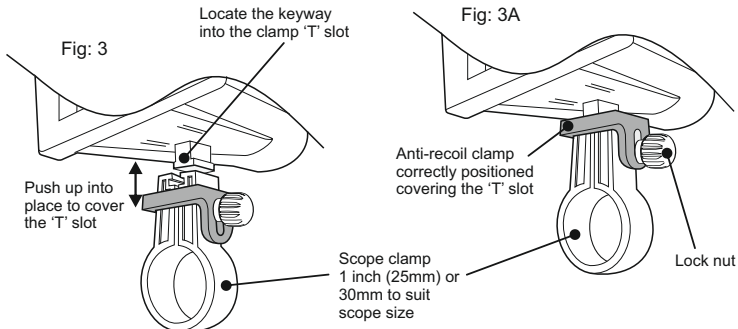


The RTEK camera module has a unique focussing mechanism. This allows the camera lens to be adjusted via the external focussing dial located on the upper side of the RTEK camera module. The user can focus the camera on the rifle scope reticule without removing the camera from the rifle scope sleeve. By turning the focussing dial this turns the lens wheel in the same direction. The NiteSite RTEK camera lens is fully tightened in to the camera so by turning the focussing lens anti-clockwise when using for the first time will focus the camera correctly. The lens wheel stopper prevents the wheel from falling loose due to over focussing.

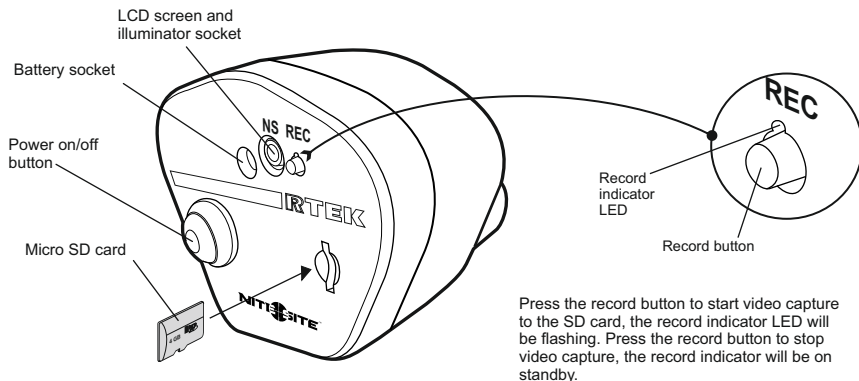
Scope Clamp Fixing and Recoil Clamp

Select the scope clamp required from the 30mm or 1 inch supplied in the kit and place round the rifle scope. The anti-recoil clamp will prevent the LCD screen & illuminator module from sliding out of the clamp 'T' slot through recoil. Place the anti-recoil clamp over the scope clamp. Put the scope clamp bolt in place, passing it through the anti-recoil clamp slot. Place the LCD screen and illuminator fixing key way, into the scope clamp 'T' slot (Fig: 3). Once in place slide the anti-recoil clamp upwards to cover the 'T' slot. (Fig: 3A). Once in place tighten the scope clamp lock nut until secure. Do not over tighten!

The NiteSite equipment is not affected by recoil or kinetic energy produced firing live rounds.



RTEK Camera Module



Press the record button to start video capture to the SD card, the record indicator LED will be flashing. Press the record button to stop video capture, the record indicator will be on standby.

The NiteSite RTEK camera module has three new features.

1. Focussing

The NiteSite RTEK camera module has a focussing system that allows the user to focus the reticule prior to use while attached to the scope. See page 6.

2. Recording

The NiteSite RTEK camera module has the capability to capture all of your favourite moments simply at the push of a button. Before powering the camera module, place the micro SD card into the slot on the back of the camera module. Ensure the micro SD card is fully inserted as failure to do so will prevent recording to the micro SD card. Power the camera module via the button on the back of the camera module. The red light appears steady on the back of the camera unit. The camera is now ready to record. The record button is situated above the SD card slot next to the NS socket on the back of the camera module (REC). To start recording press the record button once, the LED record indicator light begins to flash. To stop recording press the record button again, the LED record indicator LED no longer flashed but remains in the standby on mode. **Turning off the camera module with the on/off button when the record indicator LED is flashing will delete the file that is recording.** Always use the record button to stop recording before switching off the camera module. To view the files that have been captured remove the micro SD card and connect to your PC, laptop or tablet. The RTEK record camera module comes with a 4 gigabyte (4GB) micro SD card this will capture up to two hours and twenty minutes of continuous video recording. It is possible to record for longer periods with larger capacity micro SD cards.

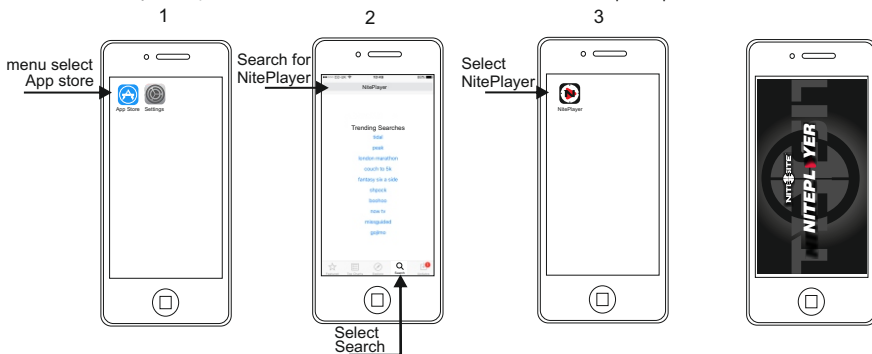
3. Wi-Fi Buddy share

The Nitesite RTEK camera module has Wi-Fi capability that is automatically activated when the module is switched on. This allows one user at a time to tune in and share the image that is seen on the rifle mounted LCD Screen & illuminator module. The range of the RTEK Wi-Fi capability is approximately 5-6meters if you are viewing within a vehicle, or up to 10-12 meters in open areas with a clear line of sight. To use the RTEK buddy share Wi-Fi feature, first download the free NiteSite application to your device via the App store or Google play store. The name of the application is **NitePlayer**. Once the application is downloaded then the correct Wi-Fi option has to be selected on the viewing device. (tablet or mobile phone) With the RTEK camera module switched on, select the settings menu on the chosen viewing device, then select the Wi-Fi options. The device will start to search for the RTEK Wi-Fi. Wait until the NiteSite option appears in the menu. The Password is 12345678. Then select the NiteSite Wi-Fi option. Once selected leave the settings menu and select the NitePlayer Application on the device. Add the default password 12345678. It will take a few seconds for the RTEK camera module and the device to synchronise so please be patient.

RTEK Camera Module iOS Application set up

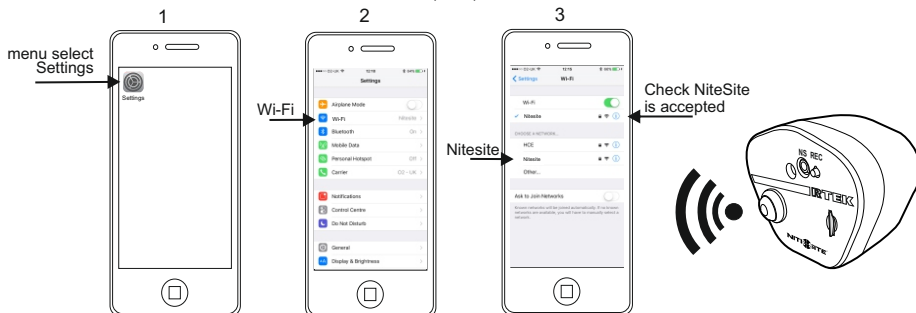
Downloading the iPhone Application

R-Camera NitePlayer iOS platform. With the camera switched on follow the three simple steps



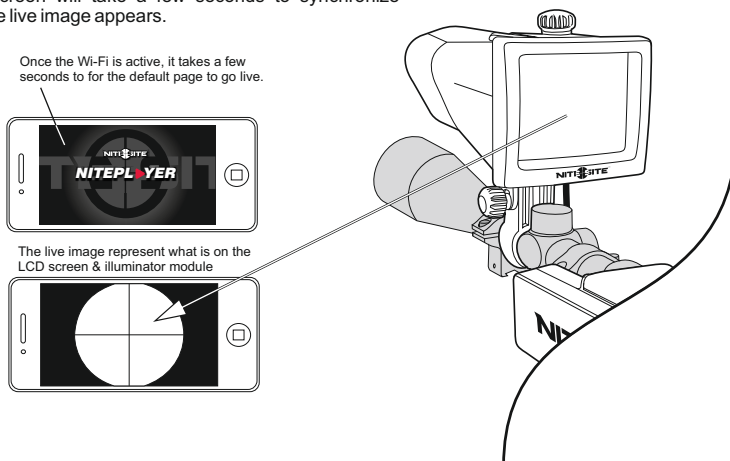
R-Camera Wi-Fi Set up iPhone

iOS platform set up. With the camera switched on follow the three simple steps



NitePlayer Use.

Once the NitePlayer app downloaded and selected, the default screen will take a few seconds to synchronize before the live image appears.



RTEK Camera Module Android application set up

Downloading the Android Application

R-Camera NitePlayer Android platform



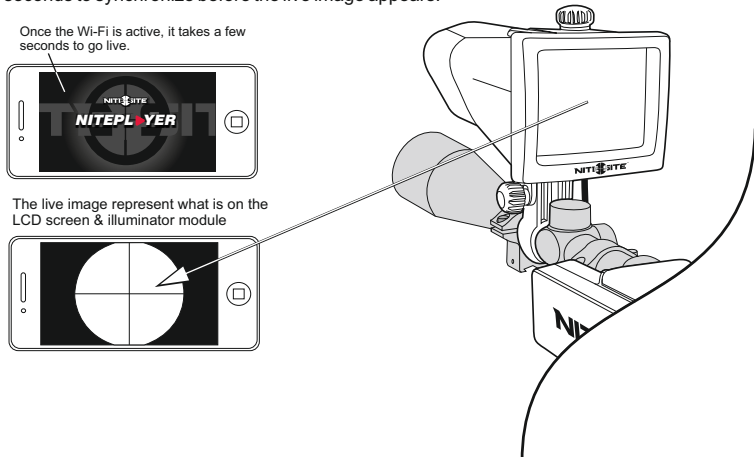
R-Camera Wi-Fi Set up Android

Android platform set up. With the camera switched on follow the three simple steps.



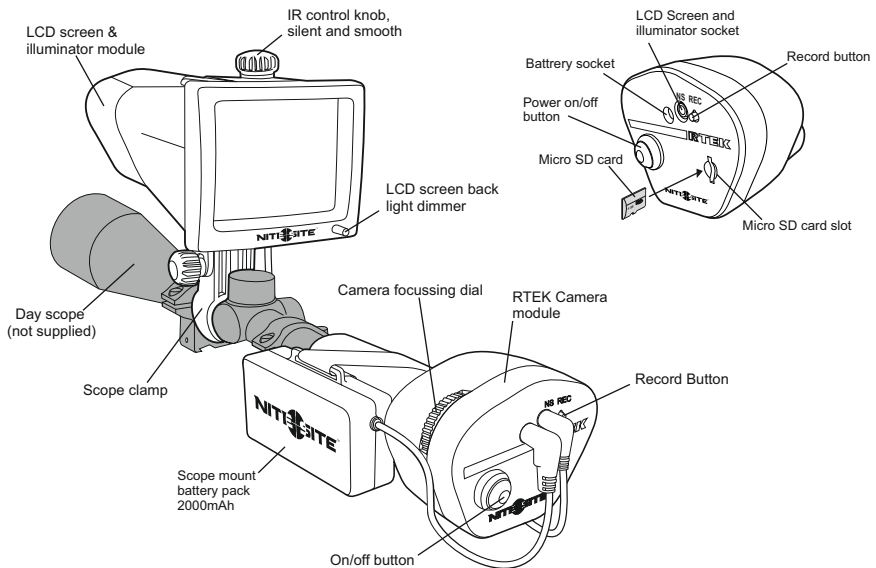
NitePlayer Use.

Once the NitePlayer app downloaded and selected, the default screen will take a few seconds to synchronize before the live image appears.





The Viper RTEK scope mount system is the short range strike product. The Viper RTEK has an identification range of up to 100 metres (110yards) depending on your scope with zero ambient light. The Viper allows the user to vary the infra-red light output from zero to maximum, smoothly and silently. The Viper unit has a single infra-red LED mounted in the front of the LCD screen and illuminator module. The range is obtained by the use of the dynamic patented IR lens system. The Viper has a camera module suitable for daytime viewing. In darkness the image appears black and white. The RTEK camera module has a soft touch, virtually silent, on/off button located on the back of the camera module. The RTEK camera has recording capability that captures to a micro SD card simply at the push of the record button, once to start recording and once to stop recording. All RTEK products have a 4GB micro SD card. This will give 2Hrs & 20minutes of recording time. The frame resolution is 640 x 480. Other SD cards are available for a longer recording time. The RTEK range has a buddy share feature using WI-Fi (frequency 2414MHz) This allows for a single user to share the on screen image via a mobile phone or tablet device. (See pages 8 & 9). The RTEK range has an LCD screen dimming feature that can reduce the LCD screen brightness from normal all the way down to off using the dial located on the front of the LCD screen frame. The Viper comes with a light weight battery pack that mounts on the scope ensuring the rifle is versatile and light. The Viper RTEK battery pack is a 2000mAh. Other batteries are available to purchase separately. The Viper RTEK battery has an operational run time of 5.5 hours, 3.5 Hrs on full IR power. (See page 13)

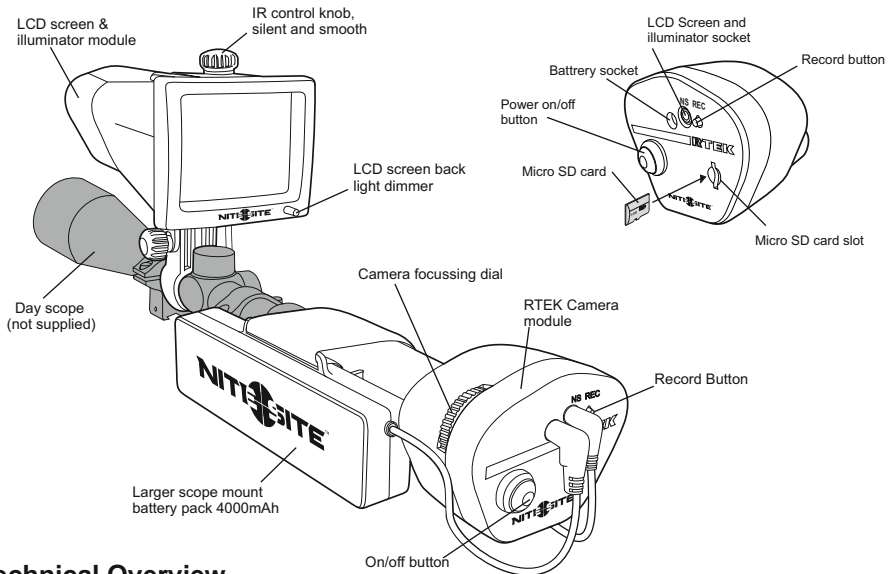


Technical over view

- Colour IR camera module.
- Identification range 100 metres (110yards) dependant on the scope.
- 1 x integral 850nm IR LED.
- Dimmable LCD screen.
- Record to 4GB Micro SD card
- 640 x 480 frame resolution 2hr, 20 min of recording time.
- Wi-Fi share capability. 2414MHz CH1
- Lithium-ion battery 11.1v 2000mAh.
- Battery re-charge time approx: 3.0Hrs.
- Operational run time up to 5.5Hr approx. (3.5Hrs on max IR).
- Weight excluding the battery 418g.



The Wolf RTEK scope mount system is the NiteSite medium range strike product. The Wolf RTEK has an identification range of up to 300 metres (330yards) depending on your scope with zero ambient light. The Wolf RTEK allows the user to vary the infra-red light output from zero to maximum smoothly and silently. The Wolf RTEK unit has three infra-red LED's mounted in the front of the LCD screen and illuminator module. The range is obtained by the use of the dynamic patented IR lens system. The RTEK Wolf has a colour module for daytime viewing. In darkness the image appears black and white. The RTEK Camera has a soft touch, virtually silent, on off button located on the back of the camera module. The RTEK camera has recording capability that captures to a micro SD card simply by pressing the record button, once to start recording and once to stop recording. All RTEK products have a 4GB micro SD card. This will give over 2Hrs of continuous recording time. The frame resolution is 640 x480. Other SD cards are available for a longer recording time. The RTEK range has a buddy share feature using WI-Fi. (frequency 2414MHz). This allows for a single user to share the on screen image via a mobile phone or tablet device. (See pages 8 & 9)The RTEK range has an LCD screen dimming feature that can reduce the LCD screen brightness from normal all the way down to off using the dial located on the front of the LCD screen frame. The Wolf RTEK comes with a light weight battery pack that mounts on the scope ensuring the rifle is versatile and light. The battery pack is a 4000mAh. Other batteries are available to purchase separately. The Wolf battery a has an operational run time of 10.0 hours, 4.0 Hrs on full IR power. (See page 13).

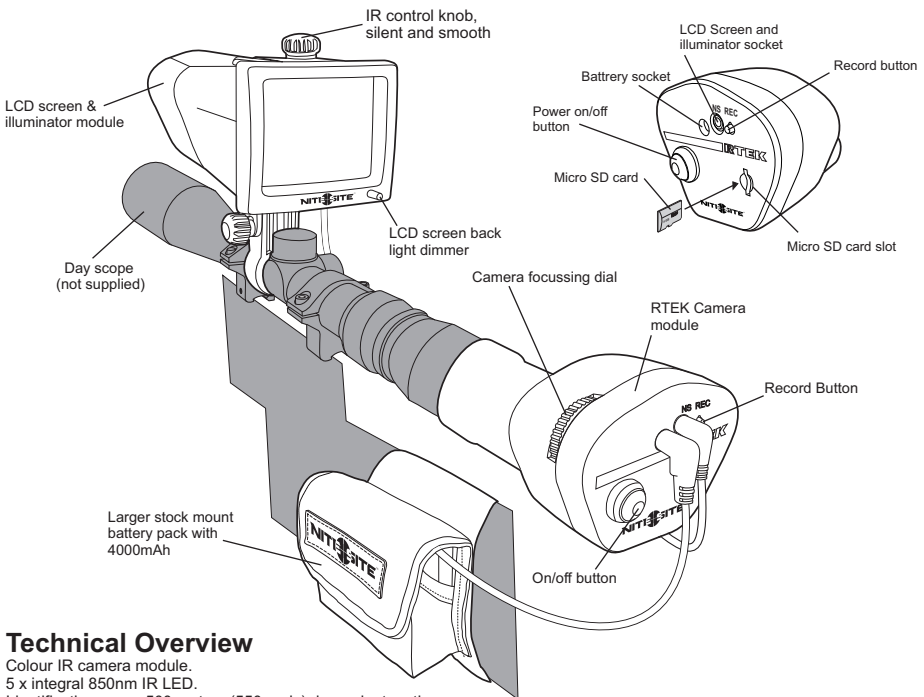


Technical Overview

- Colour IR camera module.
- Identification range 300 metres (330yards) dependant on the scope.
- 3 x integral 850nm IR LED.
- Dimmable LCD screen.
- Record to 4GB Micro SD card
- 680 x 480 frame resolution, 2hr, 20minutes of recording time.
- Wi-Fi share capability. 2414MHz CH1
- Lithium-ion battery 11.1v 4000mAh.
- Battery re-charge time approx: 3.5Hrs.
- Operational run time up to 10.0Hr approx. (4.0Hrs on max IR).
- Weight excluding the battery 418g.



The Eagle RTEK scope mount system is the long range strike product. The Eagle RTEK has an identification range of up to 500 metres (550 yards) depending on your scope with zero ambient light. The Eagle RTEK allows the user to vary the infra-red light output from zero to maximum smoothly and silently. The Eagle RTEK unit has five infra-red LED's mounted in the front of the LCD screen and illuminator module. The range is obtained by the use of the dynamic patented IR lens system. The Eagle RTEK has a camera module suitable for daytime viewing. In darkness the image appears black and white. The RTEK camera has a soft touch, virtually silent, on off button located on the back of the camera module. The RTEK camera has recording capability that captures to a micro SD card simply push of a button, by pressing the record button once to start recording and once to stop recording. All RTEK products have a 4GB micro SD card. This will give over 2Hrs of continuous recording time. The frame resolution is 640 x 480. Other SD cards are available for a longer recording time. The RTEK range has a buddy share feature using Wi-Fi. (frequency 2414MHz). This allows for a single user to share the on screen image via a mobile phone or tablet device. (See page 8 & 9) The RTEK range has an LCD screen dimming feature that can reduce the LCD screen brightness from normal all the way down to off by using the dial located on the front of the LCD screen frame. The Eagle RTEK comes with a stock mount battery pack that attaches to the rifle stock. The battery pack is a 6000mAh. Other batteries are available to purchase separately. The Eagle battery a has an operational run time of 15.5 hours, 3.5 Hrs on full IR power. (See page 13).



Technical Overview

- Colour IR camera module.
- 5 x integral 850nm IR LED.
- Identification range 500 metres (550yards) dependant on the scope.
- Dimmable LCD screen.
- Record to 4GB Micro SD card
- 680 x 480 frame resolution, 2hr, 20minutes of recording time.
- Wi-Fi share capability. 2414MHz Ch1
- Lithium-ion battery 11.1v 6000mAh.
- Battery re-charge time approx: 3.5Hrs.
- Operational run time up to 15.5Hr approx. (3.5Hrs on max IR).
- Weight excluding the battery 638grams.

NiteSite Lithium-ion Batteries

Safety Information

To prevent potential leakage, overheating, or explosion of the battery please be advised of the following precautions.

WARNING

- 1 Only use the NiteSite recommended **Lithium-ion** battery charger.
- 2 Do not dispose of the battery into an open fire
- 3 Do not immerse in water or salt water. Always store in a cool dry environment, away from any metal objects such as pins, nails, keys, jewellery, coins etc.
- 4 Do not leave near a heat source, such as a fire or heater.
- 5 Do not connect the battery directly to an electrical socket outlet.
- 6 Do not short out the battery cables or trap the cable causing a short circuit.
- 7 Do not transport the battery with any metal objects described in No.3
- 8 Do not strike or throw against hard surfaces.
- 9 Do not pierce the battery with a nail or sharp object.

CAUTION!

- 1 Do not use or leave the battery pack in very high temperature (for example, in direct sunlight or indirect through glass). Otherwise it can overheat and self combust or its performance will degenerate and its service life will be shortened.
- 2 Do not use in a location where static electricity is evident or the safety circuitry may be damaged.
- 3 Should the battery electrolyte get into the eyes due to leakage do NOT rub the eyes! Rinse with copious amounts of clean water and seek medical attention immediately. Failure to do so may result in permanent damage to the eyes or loss of sight.
- 4 If the battery gives off an odour, generates heat, becomes mis-shaped, or abnormal during use, recharging or in storage, immediately remove the battery pack and place it in a contained vessel such as a metal box.
- 5 In case the battery connector is contaminated with debris of any kind during use clean with a dry cloth. Otherwise power failure may occur due to a poor connection from the battery to the NiteSite or to the battery charger.
- 6 Do not use abrasives or solvents to clean the connector plug or battery case.
- 7 Discarded batteries may catch fire so always tape over the battery terminals before disposal.
- 8 Do not take the battery case apart or tamper with the battery pack.

Lithium-ion Batteries

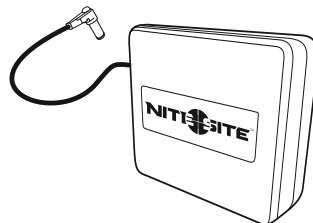
There are three batteries available in the rifle mount range. They are 2000mAh, 4000mAh and 6000mAh batteries all operating at 12volts DC. Each battery has a DC 5.5mm x 2.1mm plug attached. See Viper, Wolf and Eagle product technical overview for operational run times. The 2000mAh and 4000mAh batteries come with a velcro strap so that the battery can be securely fastened to the scope. The 6000mAh battery has a stock mountable pouch available that holds the battery firmly on a rifle stock. Always follow the safety instructions carefully regarding the use of NiteSite lithium-ion batteries that are listed in this instruction manual. All batteries can be purchased separately, for more information contact NiteSite customer services.



12 volt DC 2000mAh



12 volt DC 4000mAh

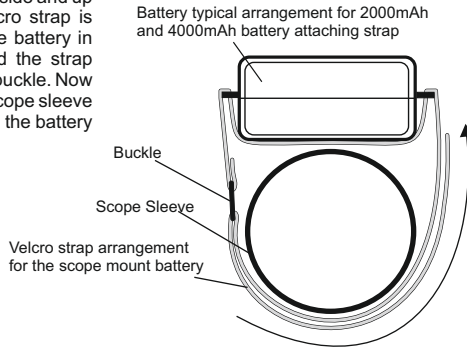


12volt 6000mAh

Battery layout options

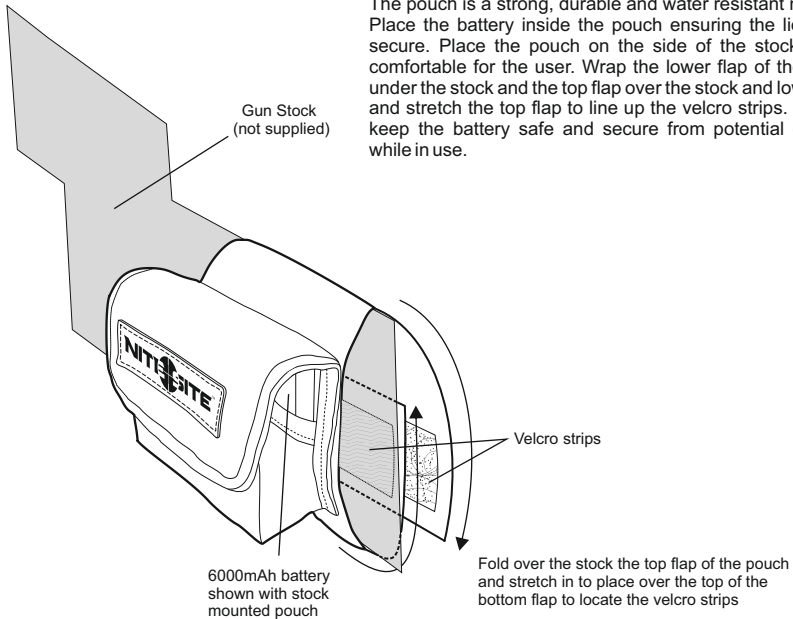
Scope mount

Feed the Velcro strap through the strap points on both sides of the battery case, down one side and up through the other side so that the Velcro strap is under the back of the battery. Place the battery in position on the scope sleeve and feed the strap round the scope sleeve and through the buckle. Now double back the Velcro strap under the scope sleeve and pull tight. The strap should now hold the battery firmly in position.



Stock mounted pouch

The 6000mah battery has the option of a stock mount pouch. The pouch is a strong, durable and water resistant material. Place the battery inside the pouch ensuring the lid flap is secure. Place the pouch on the side of the stock that is comfortable for the user. Wrap the lower flap of the pouch under the stock and the top flap over the stock and lower flap, and stretch the top flap to line up the velcro strips. This will keep the battery safe and secure from potential damage while in use.



Lithium-ion battery Chargers

**READ ALL THE SAFETY INFORMATION REGARDING LITHIUM-ION POLYMER BATTERIES ON PAGE 12.
ONLY CHARGE NITESITE LITHIUM-ION BATTERIES WITH THE NITESITE CHARGER PROVIDED**

There are three battery chargers available for use with the NiteSite batteries. Each battery has its own charger. The NiteSite lithium-ion battery charger is supplied with a 5.5mm x 2.1mm DC socket that connects directly to the NiteSite battery packs. To charge the lithium-ion battery, the battery charger must be connected to the mains wall socket. The battery charger comes with the correct mains pin configuration for your region and has an operational voltage between 100v-240vAC to suit all regions. Connect the charger to the mains wall socket. The light on the charger will be green. Once the green light is on simply connect the NiteSite lithium-ion battery pack DC plug, into the charger DC socket. The lithium-ion battery charger green light will change to red. The red light indicates that the battery is correctly connected and that the battery is being charged. The indicator light will turn green once the lithium-ion battery is fully charged. The times of charging vary from battery pack to pack depending on the charged condition of the battery. A fully discharged battery will take longer to charge than a partially discharged battery. Always charge the lithium-ion battery from new, as the battery is supplied in a discharged condition.

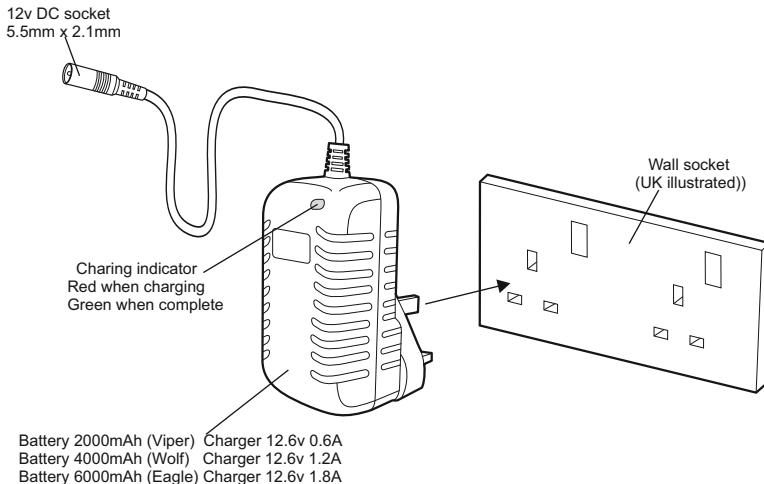
When the battery pack is fully charged and the green light is evident on the charger, disconnect the battery from the charger, and disconnect the charger from the mains wall socket. Leaving the battery connected to the charger when the charger is not connected to the wall socket will result in the lithium-ion battery discharging. The lithium-ion battery chargers operates safely between 100v and 240v AC

Always connect the correct lithium-ion battery charger to the correct lithium-ion battery supplied in the kit. Please check you have the correct charger by checking the label located on the battery charger. If in doubt please contact customer services. Details are on page 21.

The 2000mAh lithium-ion battery comes supplied with a 12.6v 0.6A constant current charger.

The 4000mAh lithium-ion battery comes supplied with a 12.6v 1.2A constant current charger.

The 6000mAh lithium-ion battery comes supplied with a 12.6v 1.8A constant current charger.



Maintenance and Service

After each use and during transport, store the NiteSite equipment in the carry case provided.

Take care not to damage the connecting cables during use. Short circuiting the battery cables could cause burns and fire.

Always keep the battery in the pouch provided. Always fix securely in place during use, utilising the stock mount pouch or velcro fixings provided. Belt mounted battery pouches are available. Contact customer services for more information see page 14

Wipe any debris using a soft moist cloth. Do not use cleaning agents of any kind and always disconnect the battery before cleaning the NiteSite equipment.

To get the most out of the NiteSite equipment, keep the LCD screen & infra-red illuminator front lens clean and free from debris.

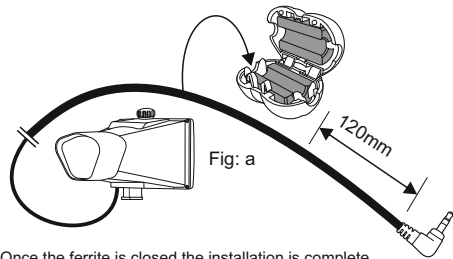
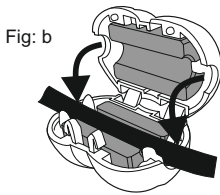
The NiteSite equipment has a two year guarantee. The batteries have a one year guarantee. Equipment that is damaged through carelessness may be returned for repair. In such an event please contact your local dealer or our customer services department to arrange for the equipment to be returned. There will be a charge for repairs that fall outside the guarantee period. There are no serviceable parts in the NiteSite equipment and all repairs must be carried out by a NiteSite service engineer. Failure to do so will invalidate the guarantee.

The NiteSite equipment is not water proof, only water resistant. Always cover the equipment in rainy conditions.

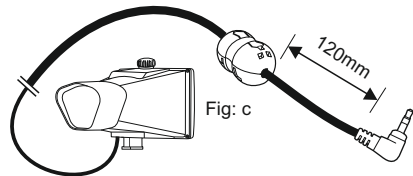
Ferrite Installation

Place the LCD screen & illuminator module cable into the ferrite approximately 120mm from the end of the right angle plug. Fig: a

Lay the cable in the ferrite channel, with the cable in place carefully close the ferrite over the cable so that the ferrite snaps together. Fig: b



Once the ferrite is closed the installation is complete and the ferrite will be firmly in place. Fig: c



This is a class A product. In a domestic environment this product may cause radio interference in which case the user may be required to take adequate measures.

This device complies with part 15 of the FCC rules. Operation is subject to the following two conditions

1. This device may not cause harmful interference.
2. This device must accept any interference received, including interference that may cause undesired operation.

With the ferrite provided and fitted this device complies with FCC and CE directives as stated in the appropriate documents available on request.

Accessories Available to Purchased Separately

Product Code UK	Product Code EU	Product Code US	Description
200108	200108	200108	2Ah Lithium Ion Battery & Strap
200109	200109	200109	4Ah Lithium Ion Battery & Strap
200057	200057	200057	6Ah Lithium Ion Battery
200128	200128	200128	Eye Relief Adjuster
200133	200133	200133	Universal Weaver Rail Clamp
200118	200118	200118	0.6a In-car Charger for 2Ah Lithium Ion Battery
200119	200119	200119	1.2a In-car Charger for 4Ah Lithium Ion Battery
200120	200120	200120	1.8a In-car Charger for 6Ah Lithium Ion Battery
200051	200051	200051	Standard Scope Clamp (25mm)
200052	200052	200052	Standard Scope Clamp (30mm)
200053	200053	200053	Universal Scope Clamp (30mm)
200054	200054	200054	Universal Scope Clamp (34mm)
200029	200029	200029	Stock Pouch for 6Ah Lithium Ion Battery
200030	200030	200030	Belt Pouch for 6Ah Lithium Ion Battery

To see our full range of accessories find your local stockist at www.nitesite.com/dealer or visit our NiteSite Amazon store

Lens Flare

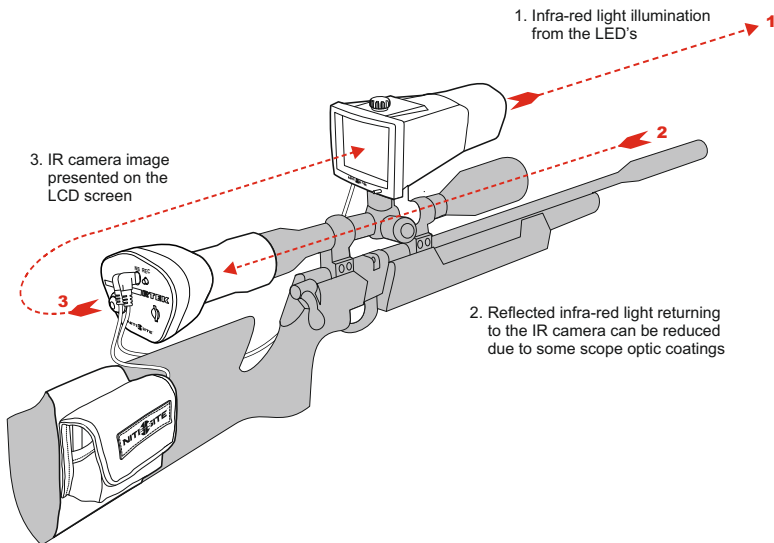
Flare is the term used to describe a plume or a haze that can appear on the image of the LCD screen. This is caused by objects directly in front of the rifle scope and illuminator. Objects such as a moderator/silencer or an iron sight can cause the infra-red light emitted from the illuminator to reflect back into the scope causing flare. Rifles with long barrels give a higher chance of causing flare. To reduce flare you should:

1. Use a sun shade on the front of the scope.
2. Add a non reflective coating or material to the moderator/silencer and barrel or, if possible, use a smaller diameter moderator.
3. Remove the front site (fore-sight).
4. Use higher scope mounts.

Lens flare can reduce the achievable night vision capability of the NiteSite equipment.

Rifle Scopes and Lens Coatings

The NiteSite system functions, in night vision mode, with the use of infra-red light. The infra-red light is emitted from the front of the LCD screen & illuminator module. In darkness the NiteSite system relies on the camera module receiving as much infra-red light through the scope as possible. Some scope manufacturers have a coating that reduces infra-red light passing through the scope optic. This coating improves the image visibility at low ambient light levels. The NiteSite system is not as effective with scope lenses that have such coatings. To get the best results from the NiteSite system use a scope that has variable zoom feature with front or side parallax focus capability. Always check the scope manufacturers instruction details prior to fitting the NiteSite system to ensure you get the best results from the product. For further information please contact customer services.



Frequently Asked Questions

The unit is not switching on.	Make sure the battery is fully charged See page 15. Make sure the battery plug is firmly connected to the camera module power socket. See? Make sure the on/off button on the back of the camera module is in the ON position (pushed in)
Does the NiteSite unit consume power even when the power button is in the off position?	No. Providing the on/off button on the back of the camera module is in the off position (pushed out) the unit will no longer consume power from the battery.
Is my NiteSite water proof?	No, NiteSite products are water resistant. Cover the NiteSite in rainy conditions.
What type of scopes work best with the NiteSite system?	You get the very best from the NiteSite system with turn collar zoom and front or side parallax focussing. Also scopes with fewer or no lens coatings that can filter out the infra-red light.
My NiteSite does not give visibility at night at the ranges specified?	The NiteSite is dependant on the camera receiving as much reflected infra-red light from the illuminator as possible. Some scopes have special coatings that can filter out the infra-red light thus reducing the range of visibility. Always check your scope manufacturers details.(See page 18 lens coatings).
Will the NiteSite work in freezing conditions?	Yes. The NiteSite units have an operating temperature approximately between -20 and 60 degrees centigrade.
Do I need to use the recoil clamp on all of my rifles?	Yes. We recommend the anti recoil clamp is fitted to prevent the LCD screen & illuminator unit from slipping through the "T" slot on the unit. See page 6
Can the NiteSite withstand the recoil of large calibre rifles?	The NiteSite product has been successfully tested with 100 rounds consecutively fired from a range of centre fire rifles up to and including a 0.450 calibre rifle without moderators. Springer air rifles are also suitable. Please use the anti recoil clamp shown on page 8.
The rubber scope sleeve does not fit my scope eye piece.	Try warming the scope sleeve in very hot water (boiling is acceptable) This technique will make the sleeve more pliable to fit over most eye pieces.
I cannot mount the scope sleeve on my eyepiece because it's not a perfect circle	Try un-screwing the eye piece to its maximum point. This may create a longer distance for the scope sleeve to grip the scope, then follow the instructions for re-focus the camera module on page 7 & 8.
I cannot get my scope cross hair in focus.	It is likely that the perfect focal point has been missed. Turn the lens fully clockwise until it can be turned no further. Carefully follow the focussing process on page 7 & 8.
The Wi-Fi buddy share is not working.	Turn off and on the camera module and wait for the device to synchronise with the camera module. Also try turning the Wi-Fi off and on again on viewing device.
When I use the zoom feature on my scope the distance I can see is reduced.	This is a normal feature of the NiteSite system the scope when increasing the magnification is reducing the angle of vision thus reducing the visible light therefore reducing the visible range.
There is no image on my LCD screen when I switch on the unit	Check that the RTEK LCD screen dimmer has not been turned down to the off position (fully anticlockwise)

For more Frequently asked questions go to our website at www.nitesite.com

SAFETY INFORMATION

CAUTION - Never look directly into the infra-red illuminator(see illustration below). The unit can emit very high concentrated non-visible infra-red light which can be hazardous to the human eye. Always follow the safety precautions given in IEC 60825-1 and IEC 62471

The NiteSite equipment must be used adopting a "heads up" shooting position. Failure to do so may result in the camera module impacting the facial area due to the recoil of some rifles.

Persons using the NiteSite equipment under the age of 16 must be supervised by an adult.

Do not attempt to make any repairs to the NiteSite equipment as this will void any guarantee and could cause personal injury and may cause further damage to the NiteSite equipment.

Do not store any part of the NiteSite equipment near open flames or other forms of excessive heat. The NiteSite equipment is made of durable ABS plastic and could melt and catch fire.

Working safely with NiteSite equipment is only possible when following the manufacturers instructions contained in this booklet.

NiteSite users should comply with all gun law and adhere to safe working practices.

General Disposal

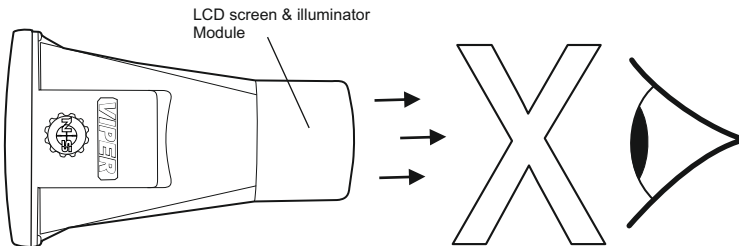
UK: Waste electrical products should not be disposed of with household waste. Separate disposal facilities exist. For your nearest facilities, please contact your local authority for details.

Battery Disposal

Dispose of batteries in an environmentally friendly way. Certain regions may regulate the disposal of batteries. Please consult your local authority. In EC countries batteries must be recycled according to guideline 91/157/EEC



Harmful emitted infra-red light output. NEVER look directly into the illuminator.



Contact Details

NiteSite online

Facebook - Like our page NiteSite

YouTube.com/nitesitetv- request your NiteSite video to be added to our play list

Twitter - follow us @NiteSiteLtd

Instagram nite_site

Amazon Storefront NiteSite Ltd

Contact Customer Service

Customer Service

NiteSite Ltd

Unit 13 West Lane

Full Sutton Airfield

Stamford Bridge

York, YO41 1HS

United Kingdom

Phone 01759 377235 UK & Northern Ireland only

Outside the UK & Ireland +44 (0) 1759 377235

Fax +44 (0)1759 371929

E: support@nitesite.com

W: www.nitesite.com

Office hours Monday to Friday 9am - 5pm GMT

Guarantee

Your 2 year guarantee - help us to help you

Your new NiteSite equipment comes with a 24 month guarantee protecting you against electrical and mechanical breakdown. Please see terms and conditions below. There is a 12 month guarantee on battery packs.

It is important to register the purchase of your product in order to ensure that you receive prompt and efficient assistance in the event of it requiring attention during the guarantee period.

NiteSite guarantee conditions

We at NiteSite undertake that if within 24 months of the date of purchase the NiteSite equipment or any part thereof is proved to be defective by reason only of fault of workmanship or materials, we will, at our discretion repair or replace the same FREE OF ANY CHARGE for labour, materials on condition that:

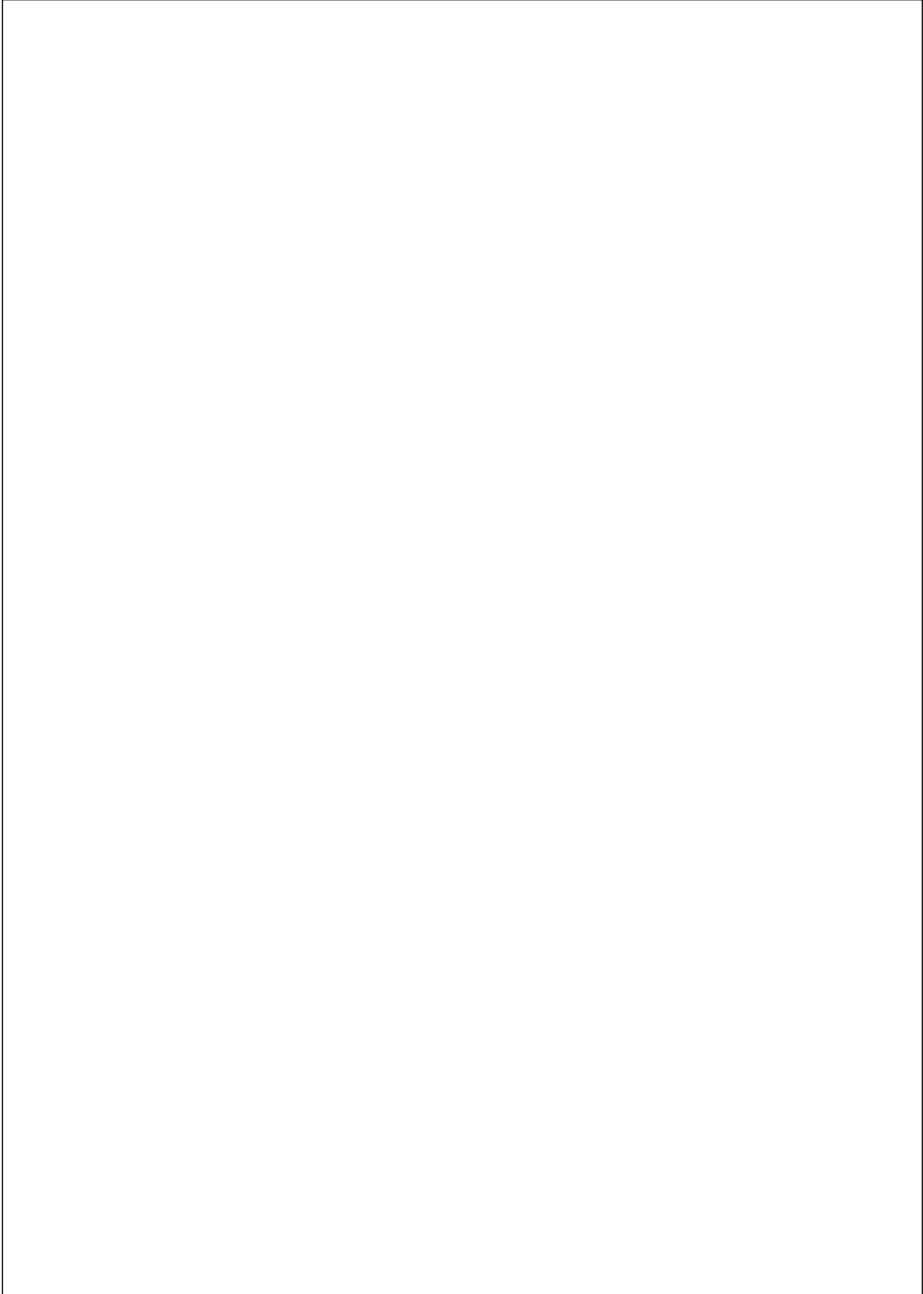
- 1) You are the original purchaser and not an assignee or subsequent purchaser of the equipment.
- 2) The product has been used in accordance with the manufacturers operating and maintenance instructions.
- 3) The product has not been serviced, maintained, repaired, taken apart or tampered with by any persons not authorised by NiteSite.
- 4) All service work under this guarantee must be undertaken by the NiteSite customer service department.
- 5) Any product or defective part replaced shall become the property of NiteSite.

Please Note!

- A) This guarantee is in addition to your statutory and other legal rights.
- B) NiteSite will return product by courier within 28 days of receipt.
- C) The company's liability under this warranty is limited to the said repairs or replacement and shall under no circumstances extend to any financial losses alleged to have been suffered by the claimant.
- D) In the event of repairs or replacement being made under the terms of this warranty in the circumstances where the opinion of the company the defect has not been caused by the company's materials or workmanship then the company reserves the right to charge the claimant at its current hourly rates and list prices in respect of any employees time and any replacement parts.
- E) No authority has been given to any person, firm or company, to vary the terms of this guarantee.

The guarantee does not cover the following:

- 1) Damage resulting from transportation.
- 2) Damage resulting from improper use or neglect.
- 3) Consequential damage resulting from unauthorised repair work.
- 4) Accidental damage.





Unit 13 West Lane,
Full Sutton Airfield,
Stamford Bridge,
York,
YO41 1HS.
United Kingdom.

